

PRODUCT BROCHURE

SALTO Systems unique networked wire-free escutcheons and electronic cylinders can be used for an extensive range of access control applications. It's the first data-on-card RFID system that can be upgraded at any time. Now with advanced SALTO XS4 online battery operated wireless lock system, you can experience real-time access control solutions without the need for wiring.

Welcome to the access, Welcome to SALTO Systems.

www.saltosystems.com

SALTO
inspired**access**





XS4

[Access For] WIRE-FREE NETWORKED
LOCKING SOLUTIONS

One card,
one technology,
unlimited possibilities...

SALTO XS4	01
HOW DOES THE SYSTEM WORK?	06
SALTO ROM Access Control system	08
SALTO SVN Data-On-Card Access Control system	10
SALTO Advance Wireless Access Control system	12
SALTO Mobile Solutions	14
XS4 PLATFORM	16
XS4 Networked Electronic Escutcheons	18
XS4 Wireless Real-time access control	32
XS4 Advanced Panic Bar Solution	34
AEElement RFID Lock [WiDNA]	38
XS4 GEO Electronic Cylinder	46
XS4 Mortise Locks	64
XS4 Locker Locks	70
XS4 Wall Readers	74
Control Units (CUs) / Door Controllers	82
Power Supply Boxes	88
XS4 Energy Saving Devices (ESD)	90
Software	94
Access Control Management Tools	100
Carriers	102
COMPANY PROFILE	106
Contact	110



XS4

[Access For] WIRE-FREE NETWORKED
LOCKING SOLUTIONS

The keyless solution
to mechanical
key control.

INTRODUCING THE WIRE-FREE **XS4 RFID SYSTEM**,
A NEW CONCEPT IN ACCESS CONTROL THAT ALLOWS YOU TO
JUMP UP TO THE NEXT LEVEL WHEN YOUR NEEDS CHANGE.

SALTO Systems unique new networked escutcheons and cylinders can be used for a an extensive range of access control applications. It's the first RFID system that can be upgraded at any time.

You choose the level of security control you need. Whether that be a simple self programmable system that needs no computer to manage it, to a one card technology, SALTO Virtual Network (SVN) system that allows you to control all the doors in an entire building or group of buildings from a single PC. Now with the XS4 online battery operated wireless lock system, you can experience real time access control solutions without the need for wiring.

XS4

[Access For] WIRE-FREE NETWORKED LOCKING SOLUTIONS

Scalable System How does it work?



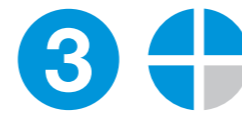
SALTO ROM ACCESS CONTROL SYSTEM

If you need a higher level of control over who is entering your building and when, the SALTO XS4 ROM RFID system is the answer. It provides all the benefits of a stand alone access control system in a compact, cost effective package. It's easy-to-use SALTO ProAccess ROM software can be customised to suit your needs. You can add users and doors, user groups and zones and set time periods and opening modes that instruct the door to lock or unlock automatically as needed.



SALTO VIRTUAL NETWORK (SVN) DATA-ON-CARD ACCESS CONTROL SYSTEM

The SALTO XS4 SVN data-on-card access control system is designed for use in larger buildings and enables users to work in a wire free environment so there is no need to hard wire. It allows you to control your entire building remotely and in almost real time through the SALTO Virtual Network (SVN). This advanced software system allows stand-alone electronic escutcheons to read, receive and write information via its operating smart cards or 'intelligent' keys. This data is captured from the cards at SVN online IP Access points located at strategic points around the building. The "updating points" upload and download user related information that is then used to permit, control or deny access.



SALTO WIRELESS REAL-TIME ACCESS CONTROL SYSTEM

To further the level of security it is possible to combine the SALTO XS4 WIRELESS online solution, which is the next step in battery operated access control. It is designed for use in low consumption applications by businesses that need the latest in high level real-time access control without the need for wiring and perfectly compliments SALTO Virtual Network (SVN) and hardwired IP solutions.



SALTO JustIN MOBILE ACCESS CONTROL SYSTEM

SALTO's mobile solutions make it easy and secure to incorporate smartphones as a part of your access control solution. Using SALTO's JustIN technology, these solutions easily and flexibly bring better security and usability to both end-users and system managers. End-users gain convenience and productivity without sacrificing security, while facility managers distinguish their property with cost effective solutions that clients truly value.





XS4

SALTO ROM

ACCESS CONTROL SYSTEM

If you need a higher level of control over who is entering your building and when, the **SALTO XS4 RFID ROM** system is the answer. It provides all the benefits of a stand alone access control system in a compact, cost effective package. It's easy-to-use SALTO ProAccess ROM software can be customised to suit your needs. You can add users and doors, user groups and zones and set time periods and opening modes that instruct the door to lock or unlock automatically as needed.

ROM

How does it work?

It's very simple to use. Any changes you make such as: adding new users, deleting users, updating the escutcheons, electronic cylinders or wall reader, or collecting the event audit trail are done through its Pro Access ROM software and transmitted to the offline escutcheons or electronic cylinders through the Portable Programming Device PPD. Each time you connect the PPD to an escutcheon, electronic cylinder or wall reader, the software will automatically download the battery status and the event audit trail so that this information can be updated on the computer. This allows users to program for or plan maintenance when convenient and, if required, also provides management reports on user access movements around the building.

Main features and benefits

Computer managed, permitting the configuration of the electronic escutcheon, monitoring of access flows, record access, add and remove users and set up the user access profile.

The system can manage up to 16,000 users and 64,000 doors.

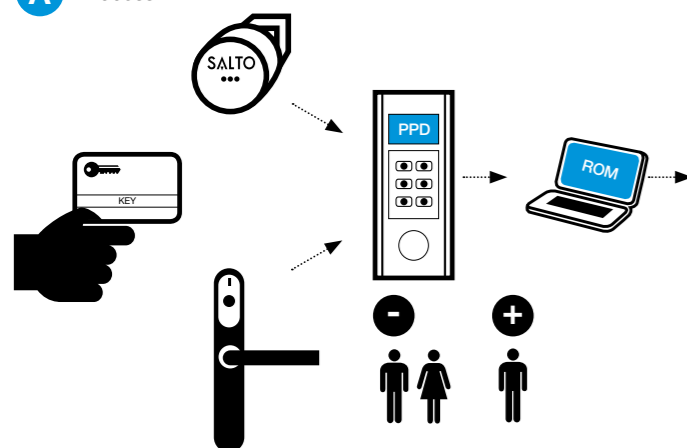
There are 7 different opening modes to suit your needs (standard, free passage ability, free passage with automatic locking, automatic opening, Toggle, and timed Toggle).

30 time zones and 4 calendars, 680 door events held in the electronic escutcheon / electronic cylinder memory.

The system can be upgraded simply by using a Portable Programming Device (PPD) making it possible to upgrade to a data-on-card SVN system when your needs change.

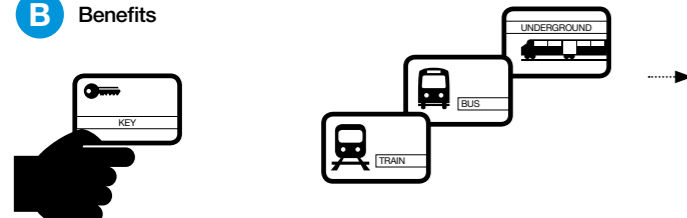
Multi-application through the contactless carrier enables use of existing MIFARE/DESFIRE, HID i-Class or Picopass cards.

A Process



- Add or delete users
- Set up users profiles (calendars, shifts...)
- Change escutcheon opening modes
- Event audit trail
- Stand alone locks battery status remote report

B Benefits



You can use existing RFID cards
No card issuing required

ROM

Access Control System





XS4

SALTO SVN DATA-ON-CARD ACCESS CONTROL SYSTEM



How does it work?

The SALTO VIRTUAL NETWORK (SVN) XS4 data-on-card system uses SALTO Virtual Network technology to convert a stand alone access control system into a networked system. Simply by using the RFID card on the network you distribute all the latest access information to the off-line stand alone electronic escutcheon, including the data on deleted cards, while at the same time picking up electronic escutcheon data like opening events and battery status. SVN does this for every employee in the building. Whether you need to control 6 doors or 64,000 doors and no matter how many people need to access the building, SVN ensures all the hot spots and locks are kept updated and secure. This provides the security or building manager with what they need most – total control.

The **SALTO XS4 SVN DATA-ON-CARD** access control system is designed for use in larger buildings and enables users to work in a wire free environment so there is no need to hard wire. It allows you to control your entire building remotely and in almost real time through the SALTO Virtual Network (SVN). This advanced software system allows stand-alone electronic escutcheons to read, receive and write information via its operating smart cards or 'intelligent' keys. This data is captured from the cards at SVN online IP Access points located at strategic points around the building. The "updating points" upload and download user related information that is then used to permit, control or deny access.

Main features and benefits

SALTO Virtual Network (SVN) capability in all electronic escutcheons.

Computer managed online and offline doors with SALTO ProAccess SPACE software and a vast number of functions and capabilities.

Up to 4 million users and 64,000 doors in one unique system.

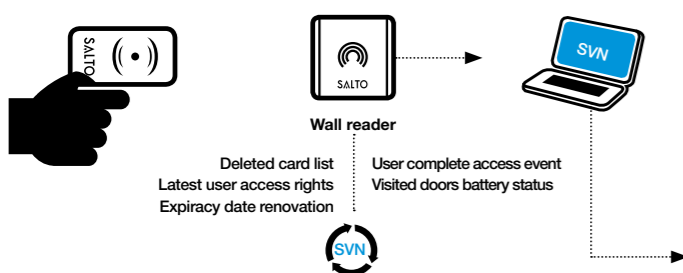
More than 10 different opening modes to suit your needs (standard, free passage ability, free passage with automatic locking, automatic opening, toggle, timed toggle...).

256 time zones and 256 calendars, 1,000 door events held in the electronic escutcheon / electronic cylinder memory.

Emergency openings can be performed through the PPD.

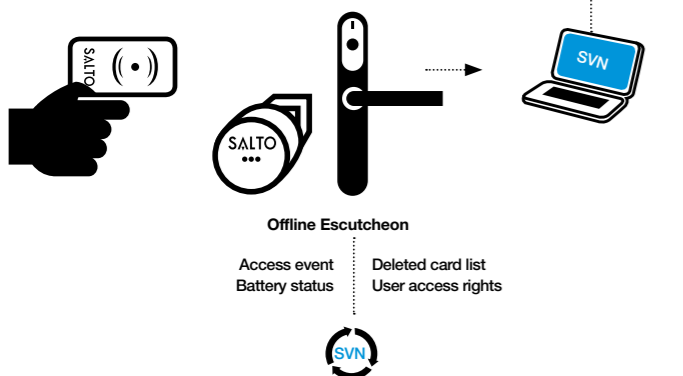
Multi-application through the contactless carrier enables use of existing MIFARE/DESFIRE, HID i-Class, Picopass or Legic cards.

A Access to online point

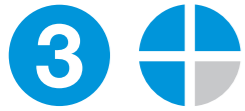


- Add or delete users remotely
- Update users profile (Calendars, shifts...)
- Dynamic event audit trail
- Remote stand alone device battery status report
- Expiry date renovation

B Access to offline point



SVN data-on-card Access Control System



XS4 SALTO WIRELESS REAL-TIME ACCESS CONTROL SYSTEM

The **SALTO XS4 ADVANCED WIRELESS REAL-TIME** solution is the next step in battery operated access control. It is designed for use in low consumption applications by businesses that need the latest in high level real-time access control without the need for wiring, and perfectly compliments SALTO Virtual Network (SVN) and hardwired IP solutions.



How does it work?

XS4 wireless is a new generation online access control system. It connects battery powered electronic escutcheons by means of low power radio transceivers (2.4 GHz) fitted on the inside of the escutcheons. These interact with XS4 gateways (which are connected by Ethernet/WIFI to the central management computer) and fitted in pre-defined XS4 wireless areas to provide a real-time wireless access control network. It can also carry out many of the functions that were previously done using a Portable Programming Device (PPD) or the SALTO Virtual Network (SVN). In the unlikely event that the radio link is interrupted, the escutcheons will continue to work but offline, as with a standard SALTO escutcheon and all standard SVN functions will remain operative. With a single click of a mouse you can configure or make changes to the network in real-time. You can also monitor the wireless network and escutcheons to: download audit trail information for real time control, delete users remotely and securely, collect battery status for maintenance and much more all from a single PC and all in real-time.

Main features and benefits

Completely integrated with the SALTO platform making it easy to customise to your exact needs, even in existing projects that are already running the SALTO system.

Computer managed through SALTO ProAccess SPACE.

Software that permits:

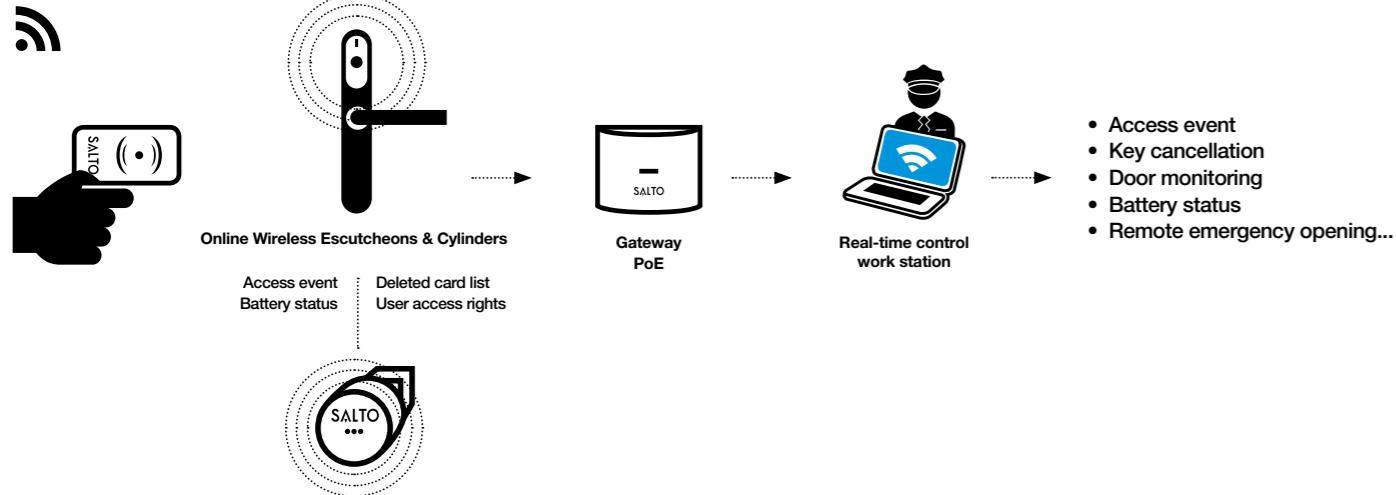
- The solving of key management problems in real-time with the simple click of a mouse. XS4 wireless escutcheons receive blacklist information and remove cancelled keys from the system in real time.
- Receive audit trail information in real-time and view door access without having to visit the door.
- Real-time door control: This includes door alarm, intrusion alarm, single lockdown and remote door opening.
- Real-time battery control enables maintenance to view escutcheon power status in real-time.
- Perform changes on the door set up remotely.

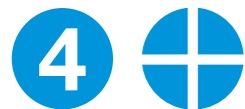
Highly secured meets RF IEEE 802.15.4 at 2,4Ghz Standard and is AES 128Bit encrypted.

The SALTO wireless escutcheons continue to operate off-line with SALTO Virtual Net capabilities if the network crashes enabling users to access the building normally.

Enables users to benefit from all the features of the SALTO R&W system.

A In real-time





XS4

SALTO

JustIN MOBILE

ACCESS CONTROL SYSTEM

JustIN Mobile SVN (mSVN) - NFC -

How does it work?

With JustIN mSVN, it's now possible to update cards remotely.

JustIN mSVN (mobile SALTO Virtual Network) is an innovative technology developed by SALTO to update a person's access rights Over The Air (OTA) using SALTO's mSVN app for NFC enabled phones. Direct, real-time communication between the mobile device and the user's credential increases productivity and flexibility without sacrificing security by enabling updates to happen when and where they are needed, without a user having to pass by a wired update point.

All an end-user needs is an NFC-enabled smartphone to update his DESFire EV1 credential using the JustIN mSVN app, thereby extending the reach and flexibility of an installation's security. mSVN is ideally suited for healthcare, infrastructure and other industries where mobile workers are an important part of the workforce and returning to the office to update access rights is not a viable option. By allowing users to update their access credentials remotely, **SALTO's JustIN mSVN increases flexibility and usability without compromising security.**

Main features and benefits:

Completely integrated with the SALTO platform XS4 (escutcheons, electronic cylinders, wall readers and locker locks) making it easy to customise to your exact needs, even in existing projects that are already running the SALTO system.

Computer managed through SALTO ProAccess SPACE.

User Friendly:

- The application is designed for mobile phones with integrated NFC technology.
- An innovative easy-to-use app to manage access rights and to update user credentials even when in transit.

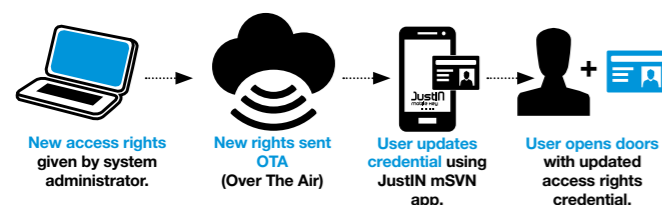
Real-time credentials:

- Updates credentials remotely, by presenting credential to smartphone using JustIN mSVN app.
- Dynamic access plan: Revalidation = New key every day.

Secure:

- Smart key compatibility: DESFire EV1 (AES - 3DES encryption). No information is stored in the Cloud, and the Cloud serves only as a transit point. The secure element is the DESFire EV1 credential.

NFC JustIN mSVN



SALTO's **JustIN MOBILE TECHNOLOGY** makes it easy and secure to incorporate smartphones as a part of your access control solution. Using SALTO's JustIN technology, these solutions easily and flexibly bring better security and usability to both end-users and system managers. End-users gain convenience and productivity without sacrificing security, while facility managers distinguish their property with cost effective solutions that clients truly value.

JustIN Mobile - BLE -

How does it work?

SALTO's JustIN Mobile technology allows users to use their smartphone to access doors.

The intuitive JustIN Mobile app communicates securely via the Cloud and permits users to receive their keys online, anytime and anywhere. Technologically cutting-edge, JustIN Mobile means the end to lost key hassles, expense and waste.

This flexible solution allows users to choose to receive their key on their phone or to receive a traditionally-issued smartcard credential. The user decides! Plus, the technology is not limited to the hospitality market. JustIN Mobile can also be used in a variety of settings, including main entrance doors, elevators, car park barriers, meeting rooms and more. It is the ideal solution for any door where you need to conveniently control access and provide a value-added experience for the end user.

Main features and benefits:

Completely compatible with the SALTO XS4 escutcheons range.

Computer managed through SALTO ProAccess SPACE.

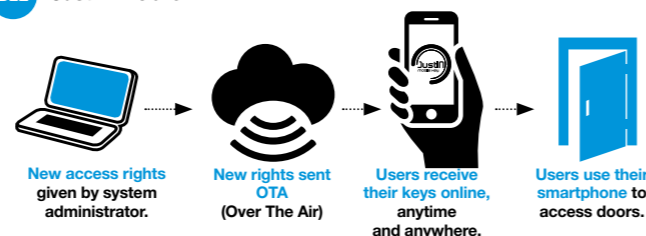
User Friendly:

- End-user decides how to receive a key: as a JustIN Mobile or as a physical credential.
- Permits extending access or changing access rights instantly and remotely.
- Works with a user's existing iOS and Android smartphone devices.
- JustIN Mobile app lets an end user receive his key online, anytime and anywhere.

Secure:

- Smartphone authentication technology for verifying a mobile user's identity: PIN / Fingerprint.
- Encrypted data transfer between phone and lock means secure authentication.
- AES 128 bit communication and secure opening procedure with key received securely encrypted.

BLE JustIN Mobile



JustIN
by SALTO:
Mobile
Access



Powered by
SALTO

XS4 Networked Electronic Escutcheons	20	XS4 Mortise Locks	66
XS4 for European Mortise Locks	22	XS4 Euro standards	67
XS4 for Scandinavian Mortise Locks	24	XS4 Scandinavian standards	68
XS4 for ANSI Mortise Locks	26	XS4 ANSI standards	69
XS4 for Glass Doors	27	XS4 Locker Lock	72
XS4 SKG**	28	XS4 Locker Lock for Locker and Cabinets	73
XS4 Security	29	XS4 Wall Readers	76
XS4 Double Reader	29	XS4 Modular Wall Reader	78
XS4 Complementary Escutcheon Range	29	XS4 Wall Reader for Narrow profile applications	78
Handles	30	XS4 Wall Reader Accesories	79
Finishes	31	Control Units / Door Controllers	82
Advanced Wireless real-time access control	32	CU2010	84
Gateway	33	CU5010	84
Node	33	CU500	85
XS4 Advanced Panic Bar Solutions	34	CU50EN	85
XS4 SALTO Panic Bar	36	CU50ENSVN	86
XS4 SALTO RIM Panic Bar	37	EB5008	87
XS4 SALTO Panic Bar kits	37	WRADAPT	87
AElement RFID Lock with Wireless DNA [WiDNA]	40	CUADAP	87
AElement EURO	42	Monitored Linear Power Supply Units	88
AElement ANSI	42	PBx12S	89
AElement EURO mortise lock	43	PB212L	89
AElement ANSI mortise lock	44	Energy Saving Devices ESD	92
AElement Finishes	45	i-Button ESD	93
Handles	46	Contactless ESD	93
XS4 GEO Electronic Cylinders	48	SALTO Software	96
XS4 GEO EU profile Cylinders	50	ProAccess SPACE	97
XS4 GEO UK Oval profile Cylinder	52	Access control Management tools	100
XS4 GEO RIM UK Cylinders	53	SALTO Portable Programmer Device PPD	101
XS4 GEO Scandinavian profile Cylinders	54	SALTO Encoder	101
XS4 GEO Swiss profile Cylinders	56	Carriers	104
XS4 GEO ANSI profile Cylinders	58	i-Buttons	105
XS4 GEO Australian Oval profile Cylinder	60	RFID technology	105
XS4 GEO Cylinders for Swing Handles	60	SALTO Company Profile	108
XS4 GEO Cylinders for Cam Lock	61	Corporate	108
XS4 GEO Electronic Padlocks	61	Contact	110
XS4 GEO Cylinder Finishes & Grips	62		

XS4

[Access For] WIRE-FREE NETWORKED
LOCKING SOLUTIONS

The wire-free access control
you thought
you'd never find.

SECURE, FLEXIBLE, AND COST EFFECTIVE, SALTO OFFERS A VAST RANGE OF ELECTRONIC LOCKS AND CYLINDERS THAT TURN ANY DOOR INTO A FULLY FEATURED ACCESS CONTROL DOOR PROVIDING FULL CONTROL OVER WHO CAN ACCESS WHAT, WHERE AND WHEN 24/7.



XS4 Wireless Networked Electronic Escutcheons

www.saltosystems.com

XS4

Networked Electronic Escutcheons



- 1 NFC and BLE compatible.
- 2 AMOK mode offline lockdown function option.
- 3 Mechanical privacy option.
- 4 Electronic privacy option.
- 5 i-Button ID technology.
- 6 Key override option.
- 7 Key Pad option.



XS4 is the access control platform from SALTO enabling users to control and manage a greater range of applications than ever before.

Smart, secure, innovative and easy to install, the XS4 electronic escutcheon sets need no hard wiring and provide a totally wire free networked electronic locking solution with a great range of features. The XS4-40 narrow version and the XS4-67 wide body version are specially designed to fit on most standard doors, and work with the majority of Scandinavian, European and ANSI mortise locks and tubular latches.

MAIN FEATURES AND BENEFITS

- Simple offline installation is possible on any type of door, including those with narrow frames.
- Virtual network capable through SALTO Virtual Network technology.
- Wireless real-time online capabilities through the SALTO wireless network*.
- Door status detector to monitor intrusions or door left open status (wireless escutcheons only).
- User on card audit trailing capability for audit trailing via the SALTO Virtual Network (SVN).
- Contactless versions compatible with ISO 14443A, ISO 14443B and ISO 15693 (Vicinity) and covering a wide range of mainstream RFID brands such as DESfire, DESfireEV1, Mifare, Mifare plus, Mifare Ultralight C, Legic Advant, HID iCLASS®, Inside Picopass, SKIDATA and Bluetooth allowing multiapplication with third party systems using one card.
- SALTO 9000 contactless range is compatible with NFC (Near Field Communication) technology which allows NFC enabled cell phones to act as contactless data carriers to open and control SALTO access controlled doors.
- All communications between the carrier and the electronic lock are encrypted and secured.
- Choice of 40mm narrow or 67mm wide body handle set.
- Covers door thicknesses of between 30-115mm.
- The lock can always be opened from the inside (a single action panic feature works in conjunction with the relevant mortise lock).
- Available in 7mm, 8mm, 8mm split, 9mm (DIN 18273 certified), 9mm split and 7.6 mm split spindle versions.
- High security protection via high resistance, hardened anti-drill plates to protect wiring and reader area. Additional protection provided by hardened axes and floating steel balls in the handle area.
- Concealed fixing screws for greater security and improved aesthetics.
- Available with mechanical cylinder cut outs for key override or access lock outs.
- Low battery power indication monitored through the SALTO Virtual Network (SVN) as low battery status information is written onto carriers and passed to the software. Also, readings can be taken at the lock and passed to the software via PPD connection.
- Emergency opening via portable programming device (PPD).
- Non-volatile memory (memory is not deleted, even if power fails).
- Firmware upgradable through PPD.
- DDA (Disability Discrimination Act) compliant (depending on handle type).

TECHNICAL DATA

- **Current required:**
 - XS4-40 narrow version: 3 alkaline batteries - LR03 - AAA 1,5V – Optional 3 Lithium batteries FR03 - AAA 1,5V (see environmental conditions).
 - XS4-67 wide version: 3 alkaline LR6 AA 1,5V. batteries optional FR6 - AA1,5V. lithium batteries
- **Number of openings:**
 - i-Button version: up to 60,000 on 1 set of batteries.
 - Contactless versions: Up to 40.000 depending on the RFID technology.
- **Environmental conditions:**
 - External escutcheon: -20° / 60°.
 - Internal escutcheon: -20° / 60°

- **Certifications:**
 - Declaration of Comity CE
 - Use of radio frequency spectrum
 - ETSI EN 302 291-1 V1.1.1 (2005-07)
 - ETSI EN 302 291-2 V1.1.1 (2005-07)
 - Electromagnetic Compatibility*
 - ETSI EN 301 489-1 (2011-09)
 - ETSI EN 301 489-3 (2002-08)
 - Security requirements*
 - EN 60950-1 (2007)
 - Following the provisions of the directive
 - Mechanical certifications against vandalism & fire*
 - SKG** certified.
 - EN 1634 - 1 90 min. EI90 fire resistant*.
 - UL10C fire resistant*.

- **Access control features:**
 - Maximum number of users per door: 4 million.
 - Maximum number of doors in a system: 64,000
 - Maximum events on lock audit: 1,000
 - Time zones: 256
 - Time periods: 1,024
 - Calendars in system: 256
 - Zones in system: 1,024
 - User groups: unlimited

- **Available lock modes:**
 - Standard (locked at all times).
 - Office mode (free passage).
 - Timed office (automatic locking at end time).
 - Automatic opening (8 pairs of "hands free" timed lock and unlocks per day with holidays).
 - Toggle (present card to lock, present card to unlock).
 - Timed toggle (present card to lock, present card to unlock depending on schedules).
 - AMOK mode* (local lockdown of the escutcheon for emergency situations).



MIFARE DESFire
Ultralight C



LEGIC
Innovation in ID technology
advant



SKIDATA™

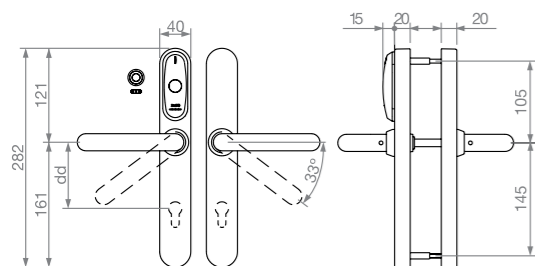


* Depending on the models.

XS4 Networked Electronic Escutcheons for European Mortise Locks

XS4 E40 | Narrow body version

The XS4-40 narrow body version is specially designed to fit most Euro profile doors, even narrow profile framed doors. This version also works with the majority of European mortise locks and cylinders.

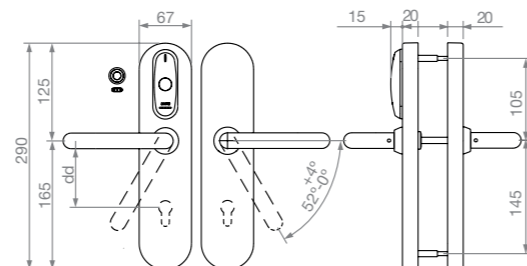
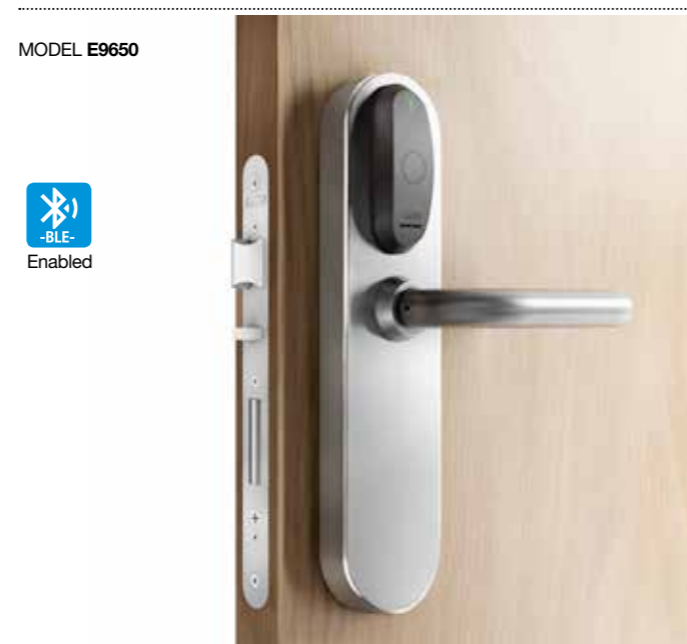


MAIN FEATURES

- Clutch mechanism escutcheon when unlocked handle moves free.
- ID technologies available: i-Button, DESFire, DESFire EV1, Mifare, Mifare plus, Mifare Ultralight C, Inside Picopass, LEGIC Prime, LEGIC Advant, HID iClass®, SKIDATA and Bluetooth.
- Available in wireless version for wireless real-time control.
- Door status detector to monitor intrusions or door left open status (wireless escutcheons only).
- Body and escutcheon made of steel.
- Dimensions: 282mm x 40mm x 20mm.
- Handle rotation: 33°.
- Distance from the handle to the cylinder: 47mm to 110mm.
- Compatible with DIN mortise locks, European mortise locks and narrow style mortise lock.
- Compatible with European profile cylinders and Swiss profile cylinders.
- Square spindles available: 7mm, 7.6mm split, 8mm, 8mm split, 9mm and 9mm split.
- Mechanical override with audit trail facility available.
- Electronic privacy function through thumb turn or button on the inside.
- AMOK version available for offline lockdowns.
- IP56 compliant (external escutcheon).
- Fire resistant EN1634 compliant EI 120 Fire Resistant.
- UL 10C Compliant (90min wooden doors).
- Fire resistant AS1530,4 compliant (120min).

XS4 E60 | Wide body version

The XS4-60 wide version is specially designed to fit most Euro profile doors, and work with the majority of European mortise locks and cylinders. It is specially designed for use on busy, high traffic doors that need additional strength.

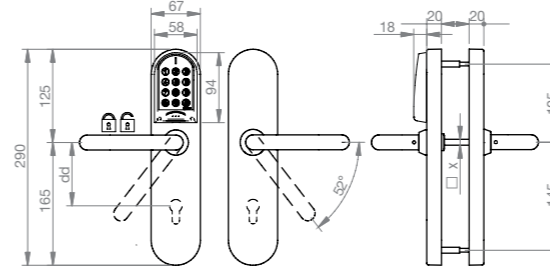


MAIN FEATURES

- Clutch mechanism escutcheon when unlocked handle moves free.
- ID technologies available: i-Button, DESFire, DESFire EV1, Mifare, Mifare plus, Mifare Ultralight C, Inside Picopass, LEGIC Prime, LEGIC Advant, HID iClass®, SKIDATA and Bluetooth.
- Available in wireless version for wireless real-time control.
- Door status detector to monitor intrusions or door left open status (wireless escutcheons only).
- Body and escutcheon made of steel.
- Dimensions: 290mm x 67mm x 20mm.
- Handle rotation: 52°.
- Distance from the handle to the cylinder: 47mm to 110mm.
- Compatible with DIN mortise locks, European mortise locks and narrow style mortise lock.
- Compatible with European profile cylinders, Swiss profile cylinders and some tubular latches.
- Square spindles available: 7mm, 7.6mm split, 8mm, 8mm split, 9mm and 9mm split.
- Mechanical override with audit trail facility available.
- Electronic privacy function through thumb turn or button on the inside.
- AMOK version available for offline lockdowns.
- IP56 compliant (external escutcheon).
- Fire resistant EN1634 compliant EI 120 Fire Resistant.
- Fire resistant AS1530,4 compliant (120min).

XS4 E60K | EU Key pad

The XS4 electronic lock with keypad increases security and control as it offers the choice of two forms of authentication to grant access. You can use your credential, your credential plus PIN (Personal Identification Number) or just your door code to gain access. It is also available in a wireless version for online real-time control.

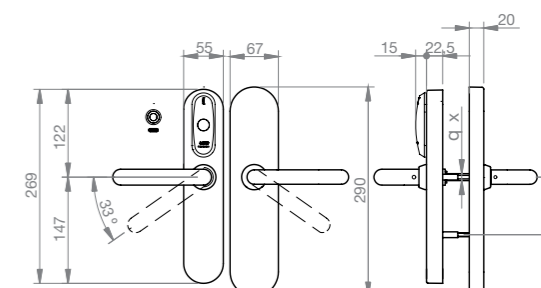


MAIN FEATURES

- Clutch mechanism escutcheon when unlocked handle moves free.
- ID technologies available: HID iClass®, DESFire, DESFire EV1, Mifare, Mifare plus, Mifare Ultralight C.
- Available in wireless version for wireless real-time control.
- Door status detector to monitor intrusions or door left open status (wireless escutcheons only).
- Body and escutcheon made of steel.
- Dimensions: 290mm x 67mm x 20mm.
- Handle rotation: 52°.
- Distance from the handle to the cylinder: 47mm to 110mm.
- Compatible with DIN mortise locks, European mortise locks and narrow style mortise lock.
- Compatible with European profile cylinders, Swiss profile cylinders and some tubular latches.
- Square spindles available: 7mm, 7.6mm split, 8mm, 8mm split, 9mm and 9mm split.
- Available in ANSI and Scandinavian versions.
- Mechanical override with audit trail facility available.
- Electronic privacy function through thumb turn or button on the inside.

XS4 E50 | DIN

SALTO has developed this new stand-alone electronic escutcheon to meet the requirements of DIN 18273 standard doors prepared for DIN 18250 standard mortise locks. The new escutcheon range maintains the fire rating of the door as no additional drilling of the door is required.



MAIN FEATURES

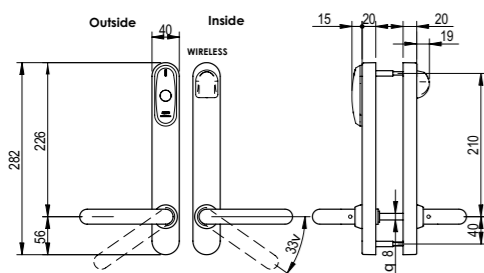
- Clutch mechanism escutcheon when unlocked handle moves free.
- Clutch mechanism escutcheon that operates the deadbolt.
- ID technologies available: i-Button, DESFire, DESFire EV1, Mifare, Mifare plus, Mifare Ultralight C, Inside Picopass, LEGIC Prime, LEGIC Advant, HID iClass®, SKIDATA and Bluetooth.
- For DIN Standard doors 18251 (Rose or short plate configuration depending on the models).
- Body and escutcheon made of steel.
- Dimensions: 269mm x 55mm x 22,5mm.
- Handle rotation: 30°.
- Distance from the handle to the cylinder: 72mm or 92mm.
- Compatible with DIN 18250 mortise locks.
- Compatible with European profile cylinders.
- Square spindles available: 8mm and 9mm.
- IP56 compliant (external escutcheon).
- EN1634-2 EI 120 Fire Resistant.
- AMOK version available for offline lockdowns.
- DIN 18273 compliant.

XS4 Networked Electronic Escutcheons for Scandinavian Mortise Locks

XS4 S40 | Narrow body version

The XS4-40 Scandinavian narrow body version is specially designed to fit most Scandinavian profile and narrow profile framed doors and work with most Scandinavian mortise locks and cylinders.

MODEL S9450



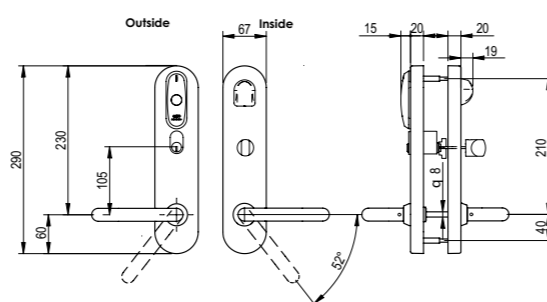
MAIN FEATURES

- Clutch mechanism escutcheon, when unlocked handle moves free.
- ID technologies available: i-Button, DESFire, DESFire EV1, Mifare, Mifare plus, Mifare Ultralight C, Inside Picopass, LEGIC Prime, LEGIC Advant, HID iClass®, SKIDATA and Bluetooth.
- Available in wireless version for wireless real-time control.
- Door status detector to monitor intrusions or door left open status (wireless escutcheons only).
- Body and escutcheon made of steel.
- Dimensions: 282mm x 40mm x 20mm.
- Handle rotation: 33°.
- Distance from the handle to the cylinder: 105mm.
- Compatible with Scandinavian standards mortise locks.
- Compatible with Scandinavian profile cylinders.
- Square spindles available: 8mm, 8mm split.
- Electronic privacy function through thumb turn or button on the inside.
- AMOK version available for offline lockdowns.
- IP56 compliant (external escutcheon).
- Fire resistant EN1634 compliant EI 60 Fire Resistant.

XS4 S60 | Wide body version

The XS4-60 wide version is specially designed to fit most Scandinavian profile doors, and work with the majority of Scandinavian mortise locks and cylinders. It is specially designed for use on busy, high traffic doors that need additional strength.

MODEL S9650



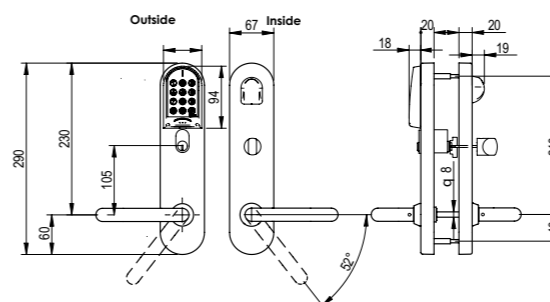
MAIN FEATURES

- Clutch mechanism escutcheon, when unlocked handle moves free.
- ID technologies available: i-Button, DESFire, DESFire EV1, Mifare, Mifare plus, Mifare Ultralight C, Inside Picopass, LEGIC Prime, LEGIC Advant, HID iClass®, SKIDATA and Bluetooth.
- Available in wireless version for wireless real-time control.
- Door status detector to monitor intrusions or door left open status (wireless escutcheons only).
- Body and escutcheon made of steel.
- Dimensions: 290mm x 67mm x 20mm.
- Handle rotation: 52°.
- Distance from the handle to the cylinder: 105mm.
- Compatible with Scandinavian standards mortise locks.
- Compatible with Scandinavian profile cylinders.
- Square spindles available: 8mm, 8mm split.
- Electronic privacy function through thumb turn or button on the inside.
- AMOK version available for offline lockdowns.
- IP56 compliant (external escutcheon).

XS4 S60K | Scandinavian Key Pad

The XS4 electronic Scandinavian lock with keypad increases security and control as it offers the choice of two forms of authentication to grant access. You can use your credential, your credential plus PIN (Personal Identification Number) or just your PIN to gain access. It is also available in a wireless version for online real-time control.

MODEL S9650K



MAIN FEATURES

- Clutch mechanism escutcheon, when unlocked handle moves free.
- ID technologies available: HID iClass®, DESFire, DESFire EV1, Mifare, Mifare plus, Mifare Ultralight C.
- Available in wireless version for wireless real-time control.
- Door status detector to monitor intrusions or door left open status (wireless escutcheons only).
- Body and escutcheon made of steel.
- Dimensions: 290mm x 67mm x 20mm.
- Handle rotation: 52°.
- Distance from the handle to the cylinder: 105mm.
- Compatible with Scandinavian standards mortise locks.
- Compatible with Scandinavian profile cylinders.
- Square spindles available: 8mm, 8mm split.
- Electronic privacy function through thumb turn or button on the inside.

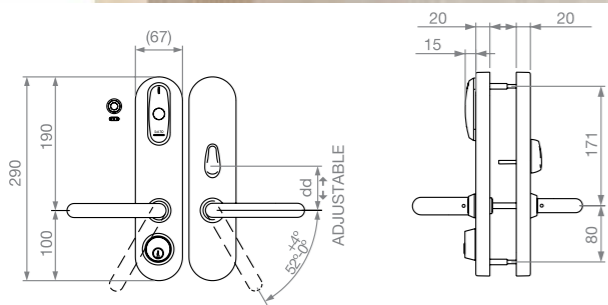
XS4 Networked Electronic Escutcheons for ANSI Mortise Locks

XS4 A60 | ANSI version

The XS4-60 wide body version for ANSI mortise locks is specially designed to be compatible with most ANSI mortise locks and tubular latches. It is specially designed for use on busy, high traffic doors that need additional strength.



MODEL A9650



MAIN FEATURES

- Clutch mechanism escutcheon, when unlocked handle moves free.
- ID technologies available: i-Button, DESFire, DESFire EV1, Mifare, Mifare plus, Mifare Ultralight C, Inside Picopass, LEGIC Prime, LEGIC Advant, HID iClass®, SKIDATA and Bluetooth.
- Available in wireless version for wireless real-time control.
- Door status detector to monitor intrusions or door left open status (wireless escutcheons only).
- Body and escutcheon made of steel.
- Dimensions: 290mm x 67mm x 20mm.
- Handle rotation: 52°.
- Distance from the handle to the cylinder: 61mm, 62mm and 63mm.
- Compatible with ANSI mortise locks and tubular latches.
- Square spindles available: 7mm, 7.6mm split, 8mm, 8mm split and 7mm diamond.
- Mechanical override with audit trail facility available.
- Electronic privacy function through thumb turn or button on the inside.
- AMOK version available for offline lockdowns.
- ANSI/BHMA A156.25 Grade 1 compliant for heavy commercial, institutional and industrial use.*
- IP55 compliant (external escutcheon).
- Fire resistant. UL10C compliant for 3 hours.

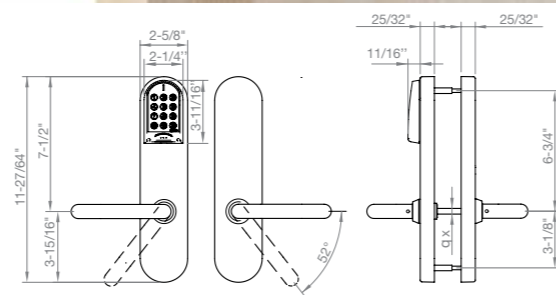
* Certified for compliance to ANSI/BHMA A156.25-2007 Grade 1 with SALTO A156.13 Mortise locks and latches

XS4 A60K | ANSI Key Pad

The XS4 electronic lock with keypad increases security and control as it offers the choice of two forms of authentication to grant access. You can use your credential, your credential plus PIN (Personal Identification Number) or just your PIN to gain access. It is also available in a wireless version for online, real-time control.



MODEL A9650K



MAIN FEATURES

- Clutch mechanism escutcheon, when unlocked handle moves free.
- ID technologies available: HID iClass®, DESFire, DESFire EV1, Mifare, Mifare plus, Mifare Ultralight C and Bluetooth.
- Available in wireless version for wireless real-time control.
- Door status detector to monitor intrusions or door-left-open status (wireless escutcheons only).
- Body and escutcheon made of steel.
- Dimensions: 290mm x 67mm x 20mm. 11-7/16" x 2-5/8" x 13/16".
- Handle rotation: 52°.
- Distance from the handle to the cylinder: 61mm, 62mm and 63mm. 1-7/8" to 4-5/16".
- Spindles available: 5/16" standard spindle and 9/32" diamond spindle.
- Mechanical key override with audit trail available.
- Privacy function through thumb turn or button on the inside.

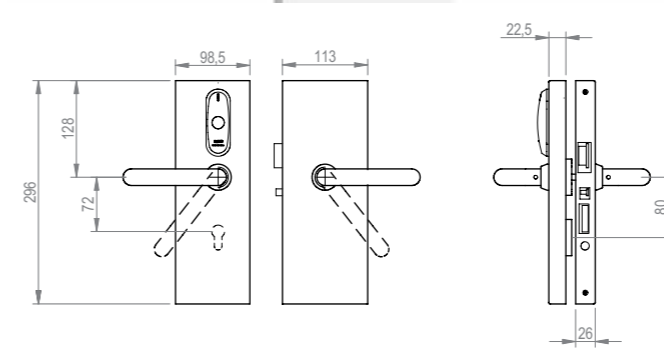
XS4 Networked Electronic Escutcheons for Glass Doors

XS4 Glass door lock DIN 18101

The XS4 'DIN' glass door lock has been specially designed for use with DIN 18101 standard glass doors. Its steel body is stylish and modern and its unique 'sandwich body' construction makes it easy to install – without having to replace the door. A 'wireless' version of the XS4 'DIN' glass door lock is also available for real-time access control requirements.

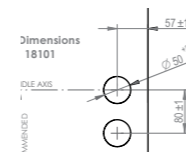


MODEL E9650xGD



MAIN FEATURES

- Clutch mechanism escutcheon, when unlocked handle moves free.
- ID technologies available: i-Button, DESFire, DESFire EV1, Mifare, Mifare plus, Mifare Ultralight C, Inside Picopass, LEGIC Prime, LEGIC Advant, HID iClass, SKIDATA and Bluetooth.
- Available in wireless version for wireless real-time control.
- Door status detector to monitor intrusions or door left open status (wireless escutcheons only).
- Body and escutcheon made of steel.
- Available in 2 different finishes: satin chrome and BioCote®.
- Dimensions: 296mm x 98.5mm x 20mm.
- Glass door compatibility: Din 18101 standard.
- Automatic lock, the auxiliary latch (anticard) projects and deadlocks the deadbolt.
- Inside always allows free egress (anti panic function).
- Sandwich body design for easy installation.
- Mechanical override with audit trail facility available.
- High security through advanced hardened high resistance anti-drill plates.
- Counter strike available for glass to glass doors.

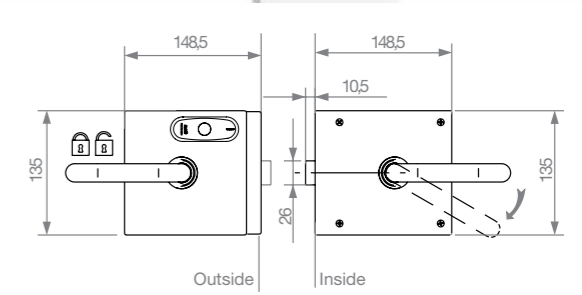


XS4 Glass door lock

The XS4 glass door lock's exclusive design makes it compatible with a wide range of commonly used glass door designs, including those already fitted with a built-in lock. It's unique 'sandwich body' design also makes for easy installation, without having to replace the door.

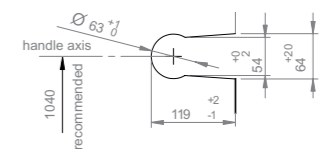


MODEL E9010xGM



MAIN FEATURES

- Block mechanism escutcheon.
- ID technologies available: i-Button, DESFire, DESFire EV1, Mifare, Mifare plus, Mifare Ultralight C, Inside Picopass, LEGIC Prime, LEGIC Advant, HID iClass®, SKIDATA.
- Body and escutcheon made of steel.
- Dimensions: 148.5mm x 135mm x 38.5mm.
- Door thickness compatibility: 8mm to 12mm.
- Sandwich body design for an easy installation.
- Mortise lock incorporated in the electronic escutcheon.
- Available in satin stainless steel finish.
- Counter strike available for glass to glass doors.

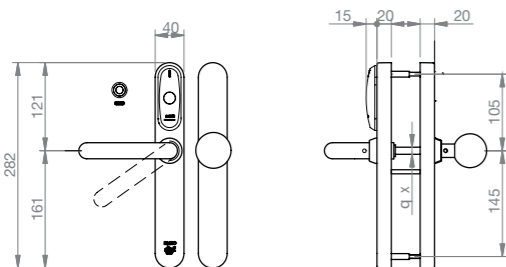


XS4 Networked Electronic Escutcheons

XS4 E40 | SKG**

The SALTO XS4 S40 SKG is designed to suit the needs of those doors that necessitate special reinforcement or require SKG certification against burglary.

MODEL E94K0



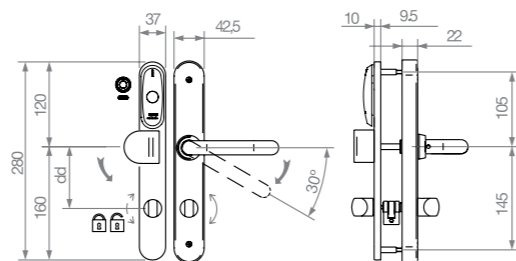
MAIN FEATURES

- Clutch mechanism escutcheon, when unlocked handle moves free.
- ID technologies available: i-Button, DESFire, DESFire EV1, Mifare, Mifare plus, Mifare Ultralight C, Inside Picopass, LEGIC Prime, LEGIC Advant, HID iClass®, SKIDATA and Bluetooth.
- Available in wireless version for wireless real-time control.
- Door status detector to monitor intrusions or door left open status (wireless escutcheons only).
- Body and escutcheon made of steel.
- Dimensions: 282mm x 40mm x 20mm
- Handle rotation: 33°
- Distance from the handle to the cylinder: 47mm to 110mm
- Compatible with DIN mortise locks, European mortise locks and narrow style mortise lock.
- Compatible with European profile cylinders and Swiss profile cylinders.
- Square spindles available: 8mm, 8mm split, 9mm and 9mm split.
- IP56 compliant (external escutcheon).
- SKG** compliant (in combination with the correct mortise lock and cylinders).

XS4 E40 | Security

The SALTO XS4 S60 Security range is an ideal choice for use on doors where a higher level of security protection is required. The tough vandal-resistant construction protects this range against attack and unauthorised entry without losing flexibility or control.

MODEL E9022



MAIN FEATURES

- ID technologies available: i-Button, DESFire, DESFire EV1, Mifare, Mifare plus, Mifare Ultralight C, Inside Picopass, LEGIC Prime, LEGIC Advant, HID iClass®, SKIDATA.
- Scandinavian modular mortise lock version available.
- Body and escutcheon made of steel.
- Dimensions: 280mm x 37mm x 20mm
- Handle rotation: 30°
- Distance from the handle to the cylinder: 47mm to 92mm
- Compatible with DIN mortise locks, European mortise locks, Scandinavian standards locks and narrow style mortise lock.
- Compatible with European profile cylinders, Swiss profile cylinders and some tubular latches.
- Square spindles available: 8mm and 9mm
- IP46 compliant.
- Fire resistant EN1634 compliant EI60.
- Fire resistant UL10C compliant (90 min. on wooden doors).

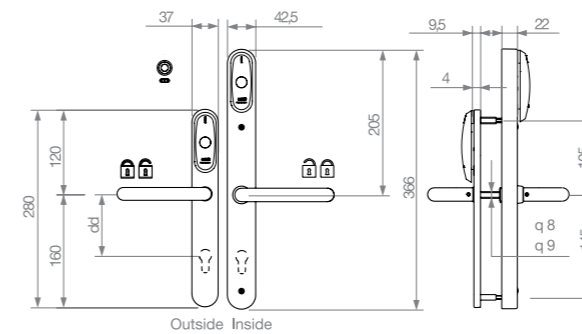
XS4 Double Reader

The XS4 Double Reader electronic escutcheon controls both entry and exit access of a door. Its audit trail facility can identify entry and exit actions and it can be fitted to almost any type of Euro profile door. It will also operate with a wide range of locks including Swiss cylinders.

MODEL E9CD0



Inside Outside



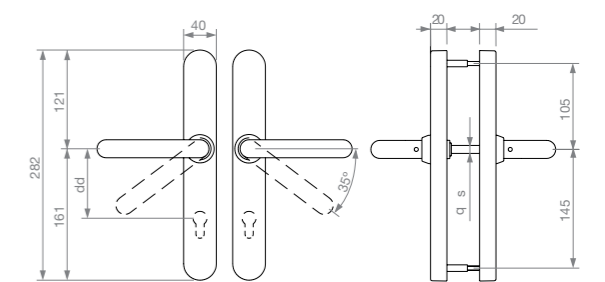
Outside Inside

MAIN FEATURES

- ID technologies available: i-Button, DESFire, DESFire EV1, Mifare, Mifare plus, Mifare Ultralight C, Inside Picopass, LEGIC Prime, HID iClass®, SKIDATA.
- Body and escutcheon made of steel.
- Dimensions: 282mm x 40mm x 20mm
- Handle rotation: 33°
- Distance from the handle to the cylinder: 47mm to 110mm.
- Scandinavian modular mortise lock compatible models available.
- Compatible with DIN mortise locks, European mortise locks, Scandinavian standards locks and narrow style mortise lock.
- Compatible with European profile cylinders and Swiss profile cylinders.
- Square spindles available: 8mm, 9mm.
- Electronic privacy function through thumb turn or button on the inside.
- IP56 compliant (external escutcheon).

XS4 Complementary Escutcheon Range

The XS4 Complementary Escutcheon Range is designed to maintain the aesthetics of a door that does not need to be controlled. The SALTO XS4 complementary escutcheon is available in a range of designs, but contains no access control electronics.



MAIN FEATURES

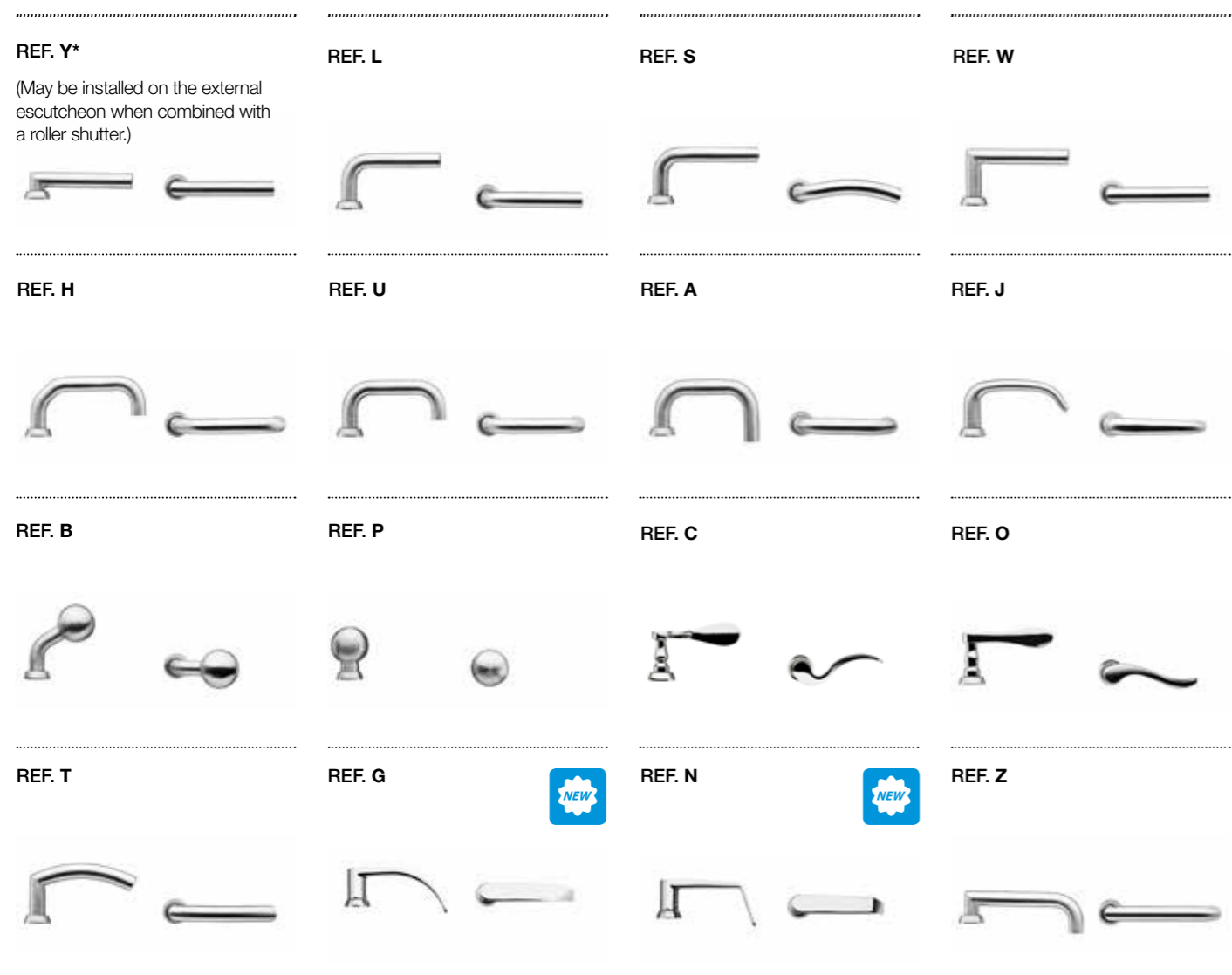
- Body and escutcheon made of steel.
- Dimensions: 282mm x 40mm x 20mm
- Handle rotation: 35°
- Distance from the handle to the cylinder: 47mm to 110mm
- Compatible with DIN mortise locks, European mortise locks, ANSI mortise lock and Scandinavian modular mortise lock models.
- Available with cylinder cut out for a mechanical locking.
- Compatible with European profile cylinders, Swiss profile cylinders.
- Square spindles available: 8mm and 9mm

XS4 Networked Electronic Escutcheons - Handles

Handles

XS4 offers a wide choice of functional and stylishly designed handles suitable for use on any type of door. Many of the lever handles have been designed to meet the latest DDA (Disability Discrimination Act) requirements, ensuring they are simple and easy to operate.

Various finish options are available to allow for contemporary or classic styling to match any taste or design in décor, and to help in DDA impaired vision requirements.



XS4 Networked Electronic Escutcheons - Finishes

Finishes

SALTO offers a wide range of finishes to choose from, including PVD coating and RAL colours.



All finishes for handles and cover plates are made of stainless steel, including the PVD and antique brass finishes, with the exception of the O handle which is made of brass with a PVD coating and the cover plates made of stainless steel with a PVD coating.



* Please note that brass finishes may become discoloured over time due to their exposure to environmental conditions such as humidity, pollution and salt air. Rings and keys can also scratch the brass lacquer finish and once this has started to occur, discolouration will likely begin.

BioCote® antimicrobial finish



Microbes, e.g. Bacteria, mould and fungi, are found in every environment and are a natural part of everyday life. Even in the cleanest of surroundings microbes can multiply on surfaces. BioCote® is incorporated at the time of manufacture in to the products finish and will inhibit the growth of microbes that can cause unpleasant odours and deterioration of the product. SALTO has incorporated BioCote® silver ion technology to give products continuous, built-in antimicrobial protection, helping to prevent the growth of microbes including bacteria and mould on the surface by up to 99.99%.

BioCote® silver ion technology is Simple

This a new finish that is applied to parts of the escutcheon for a small additional cost. The silver coating does not affect the aesthetics of the product and BioCote® protected products do not require any specialist cleaning or additional maintenance. Just normal cleaning is required to maintain the warranty of the finish.

BioCote® silver ion technology is Safe

Silver is regarded as non toxic and is therefore a safe and natural alternative to synthetic antimicrobials.

BioCote® antimicrobial technology is suitable for applications in:

Healthcare – Retail – Leisure – Food – Catering – Residential – Education – Laboratory



XS4

Advanced Wireless Real-time access control

SALTO wireless
real-time access control

The XS4 online advanced wireless solution delivers real-time high level security with all the convenience of battery operated access control.

It's the perfect choice for applications that need an access control system with low power consumption, providing online control without any need to hard wire.

Simply set up the gateways (which are connected by Ethernet/WIFI to the controlling PC) and Nodes in pre-defined wireless zones and you're ready to go. The battery powered escutcheons and electronic cylinders use built-in low power (2.4 GHz) radio transceivers to communicate with the gateways to create a realtime wireless access control network.

MAIN FEATURES AND BENEFITS

- Wireless Radio Frequency based on IEEE 802.15.4 at 2,4Ghz.
- AES 128bits encryption.
- System managed through ProAccess SPACE software.
- SALTO Virtual Network technology is included. The escutcheons will continue working, granting access control via SVN technology if the data network crashes or the PC is disconnected.
- Online in real-time communication.

1
Inside
antenna

2
Outside
reader



XS4 Wireless real-time access control

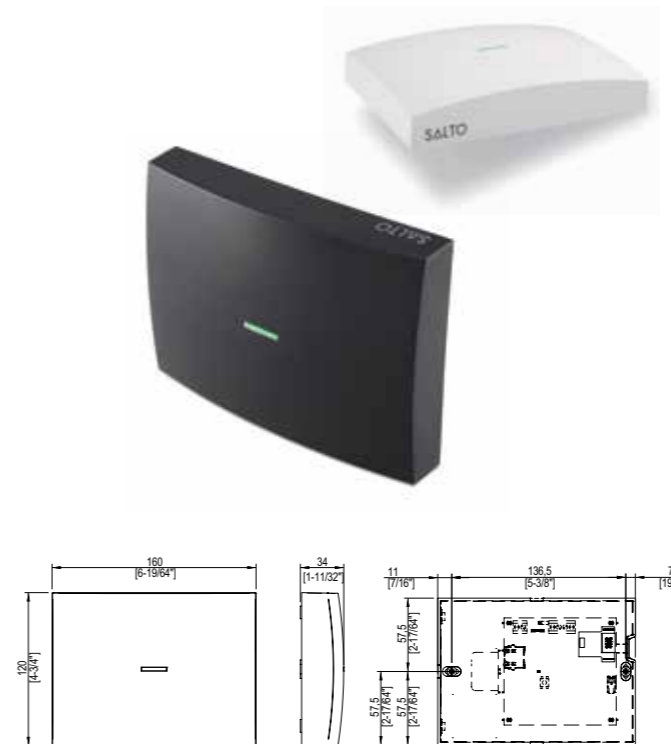
Gateway

The SALTO Gateway is the link between the PC and the wireless network. Completely managed through SALTO ProAccess SPACE software, it collects all the information sent by the escutcheons that belong to the Gateway.

Node

The SALTO Node is a bridge between the gateway and the escutcheons, where the distance to the escutcheon or where the number of escutcheons that must be linked to the gateway exceeds what is possible with a single Gateway.

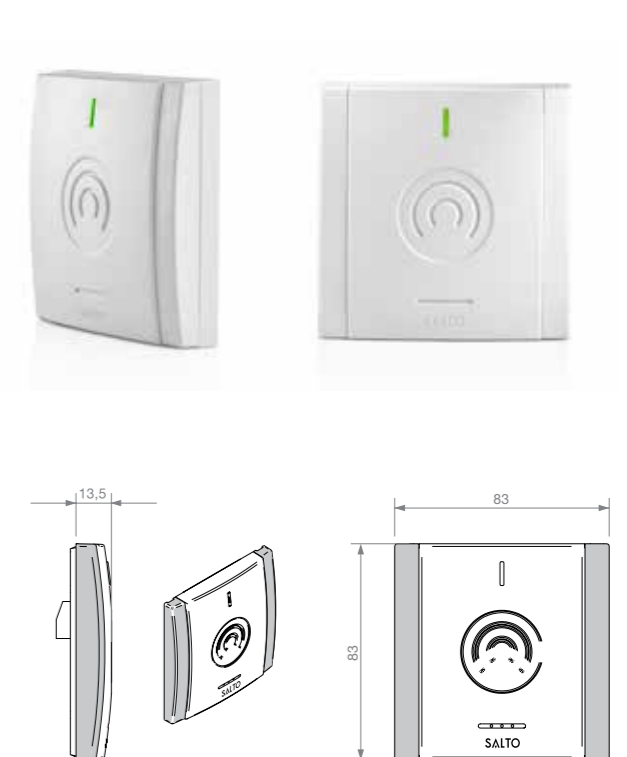
MODEL GATEWAY X1



MAIN FEATURES

- Wireless radio frequency based on IEEE 802.15.4 at 2,4Ghz
- AES 128bits encryption.
- Connection to the LAN Network 10 BASE-T/100 BASE-TX.
- PoE supported IEEE802.3af (12V power adapter optional)
- Can manage several repeaters and many locks.
- IP addressing through web explorer available.
- Firmware update via software through Ethernet connection.

MODEL RFNODE



MAIN FEATURES

- Wireless radio frequency based on IEEE 802.15.4 at 2,4Ghz.
- AES 128bits encryption.
- Connection to the GATEWAY BUS 485.
- Powered by the GATEWAY.
- Can manage several locks.
- Firmware update via software through Ethernet connection.

XS4

Advanced Emergency Exit Solutions



- 1 SALTO XS4 PBE9000
- 2 SALTO XS4 PBA12020
- 3 SALTO XS4 PBF1100



The SALTO XS4 Advanced emergency exit solution panic bar enables emergency exit doors equipped with panic bars to be controlled with an innovative stand alone electronic locking system.

SALTO XS4 stand alone electronic locks can be fitted, in combination with adaptor kits, to more than 50 leading panic bars from the most popular manufacturers. Whether you have a mortise panic device or a rim panic device, SALTO has a solution.

Compliant with EN1125 depending on the panic bar, the lock and the SALTO XS4 panic bar kit.

All the benefits of SALTO, but for emergency exits.



MAIN FEATURES AND BENEFITS

- Simple offline installation is possible on any type of door, including those with narrow frames.
- ID technologies available: i-Button, DESfire, DESfire EV1, Mifare, Mifare plus, Mifare Ultralight C, Inside Picopass, Legic Advant, HID iCLASS, SKIDATA and Bluetooth.
- Available in wireless version for wireless real-time control*.
- Choice of 40mm narrow or 67mm wide body handle set (depending on the panic bar compatibility).
- Suitable for door thicknesses of 30mm to 115mm.
- Concealed fixing screws for greater security and improved aesthetics.
- Available with mechanical override with audit trail facility.
- DDA (Disability Discrimination Act) compliant (depending on handle type).
- Emergency opening via portable programming device (PPD).
- Non volatile memory (memory is not deleted, even if power fails).

TECHNICAL DATA

- **Current required:**
 - XS4-40 narrow version: 3 alkaline batteries - LR03 - AAA 1,5V – Optional 3 Lithium batteries FR03 - AAA 1,5V (see environmental conditions).
 - XS4-67 wide version: 3 alkaline batteries - LR6 - AA batteries FR6 – AA 1,5V (see environmental conditions).

- **Environmental conditions:**
 - External escutcheon: -20° / 60°
 - Internal escutcheon: -20° / 60° (with Lithium batteries).

- **Certifications:**
 - Highest EN standards including EN1125*
 - IP55 Protection rating in the case of i-Button and RFID (external escutcheon).

Access control features:

- Maximum number of users per door: 4 million
- Maximum number of doors in a system: 64,000
- Maximum events on lock audit: 1,000
- Time zones: 256
- Time periods: 1,024
- Calendars in system: 256
- Zones in system: 1,024
- User groups: unlimited

Available lock modes:

- Standard (locked at all times).
- Office mode (free passage).
- Timed office (automatic locking at end time).
- Automatic opening (8 pairs of “hands free” timed lock and unlocks per day with holidays).
- Toggle (present card to lock, present card to unlock).
- Timed toggle (present card to lock, present card to unlock depending on schedules).
- AMOK mode* (local lockdown of the escutcheon for emergency situations).

*Check compatibility chart, not all panic bar sets can be equipped with wireless technology.

SALTO XS4 Advanced Panic Bar Solutions

XS4 Panic Bar PBE9000

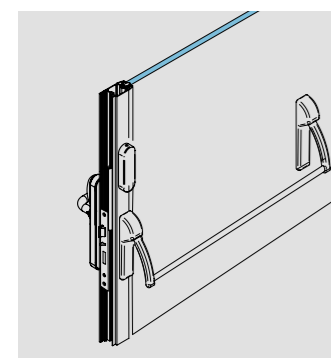
The SALTO XS4 PBE9000 combines the highest safety standards with ease of use. The SALTO XS4 PBE9000 series panic bar is EN1125 compliant* in combination with SALTO electronic escutcheons, LE7E31 or LE9E11 SALTO mortise lock, SALTO KP (Kit Panic Bars). Its modern, aesthetic design makes it the perfect choice to compliment any architectural style.

MODEL PBE9000W



MAIN FEATURES

- Mortise panic device.
- Mechanisms made of galvanized steel.
- Cover made of satin stainless steel or plastic depending on the finish.
- Finishes: red, green or satin stainless steel (stainless steel version).
- Handing Din left /Din right usable.
- Maximum wing width: 1300mm
- Cover dimensions: 200mm x 35mm x 108.5mm
- Spindle angle turn: 30° or 45° depending on the model.
- Square spindle: 9mm



Panic Bar - Fire Exit Device

XS4 Antipanic Panic Bar PBA120

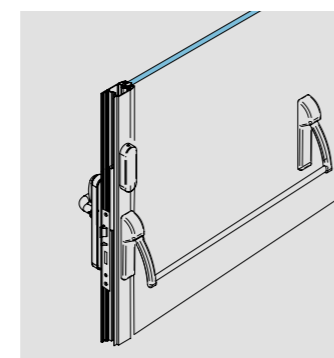
The SALTO XS4 PBA12020 is a new mortise lock panic bar for emergency exit doors. EN1125 tested and approved, the SALTO XS4 PBA12020 is compatible with both SALTO data-on-card and SALTO wireless systems, providing full control of the door. The SALTO XS4 PBA12020 is also available with a passive leaf panic bar for double emergency exit doors.

MODEL PBA120W



MAIN FEATURES

- Mortise panic device.
- Length of the panic bar up to 1150mm.
- EN1125 certified.
- Three different finishes:
 - Black mechanism and red bar (aluminium).
 - Black mechanism and green bar (aluminium).
 - Satin chromium mechanism and satin stainless steel bar.
- Handle turning angle: 20°.
- Mortise lock made of stainless steel.
- Type fire resistant mortise locks (no handing).
- Reversible, no handing.
- Door thickness compatible: 32mm to 115mm.



Panic Bar - Fire Exit Device

XS4 RIM Panic Bar

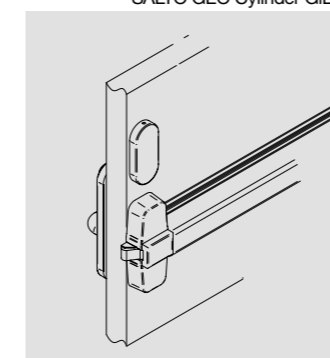
The SALTO XS4 PBF1100 device is the emergency exit doors highest standard for security, with enhancing safety performance features. It combines the highest safety along with ease of use and installation. SALTO XS4 PBF1100 series exit devices are UL listed for Panic Hardware and Fire Exit Hardware, and are certified according to ANSI A156.3, 2001, Grade 1.

MODEL PBF1100



MAIN FEATURES

- Non-handing Device.
- Latch deadlocking.
- Can be used an exterior Trim.
- Strike included.
- Fasteners and sex bolts for wood and metal 1-3/4"±3-15/16" (45±100mm) door thickness included.
- Exit signal when bar depressed.
- IM Finish (Satin Stainless Steel ANSI/BHMA 630, US32D).
- UL/cUL listed for UL305 and ANSI A156.3-2008.
- Grade 1 Panic Hardware.
- Fire rated 3 hour Fire Exit Hardware, conforms to UL10C.
- Steel case.
- Latch bolt: Stainless steel 3/4" (19 mm) throw.
- SALTO XS4 electronic compatibilities:
 - Ai650m00ffH8 / Ai660m00ffH8 + KP03xx
 - SALTO GEO Cylinder GiB1100N00ffN / GiK1100N00ffN



Touchbar Panic Bar - Fire Exit Device

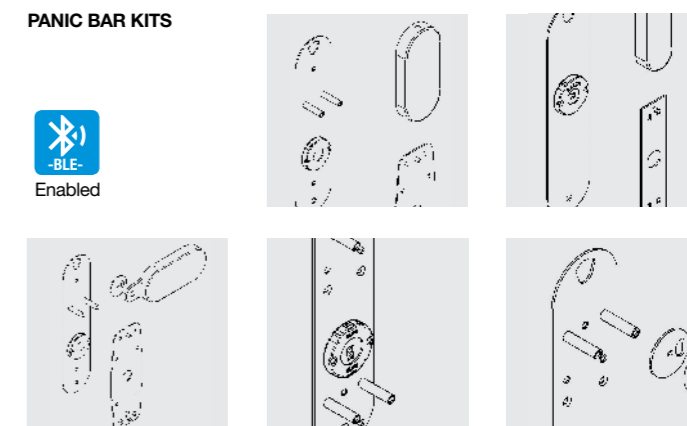
XS4 SALTO Panic bar kits

The XS4 SALTO KP (Kit Panic Bars) make it possible to fit stand alone electronic escutcheons in combination with panic bars. SALTO has developed a wide range of KP (Kit Panic Bars) that are compatible with the most popular panic bars on the market.

PANIC BAR KITS

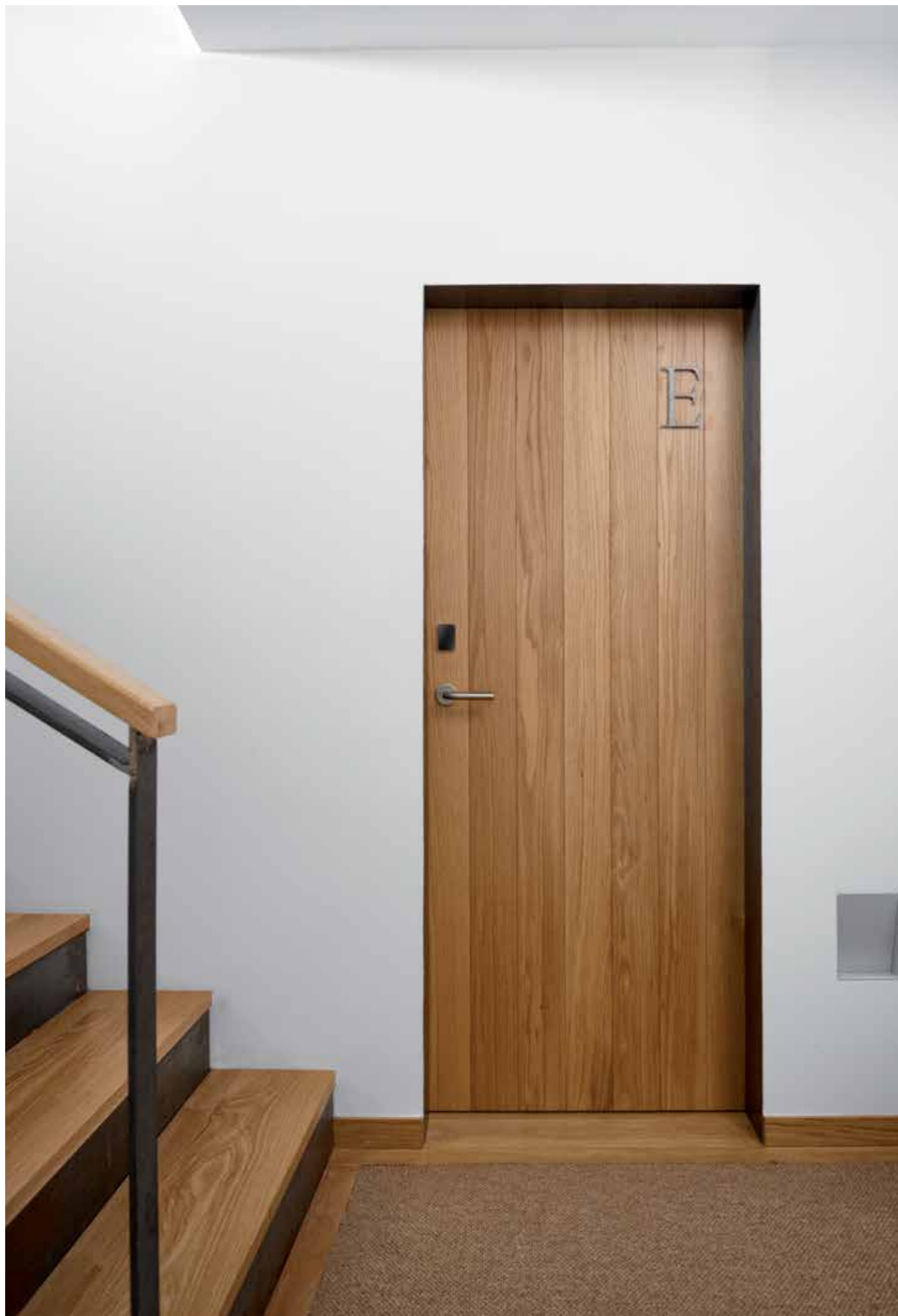


Enabled



MAIN FEATURES

- 35 different kits.
- Compatible with over 50 types of panic bar.
- Two different finishes, satin stainless steel or polished stainless steel.
- Door thickness compatibility: 30mm to 120mm

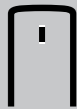


AElement by SALTO

www.aelement.com

AElement

RFID Lock with Wireless DNA [WiDNA] technology by SALTO



A E L E M E N T
by SALTO



1
Near Field Communication. NFC compatible.

2
Attractive range of handle designs and finishes

3
Wireless ready for real-time access control



AElement is an RFID lock that allows you to integrate all your physical security needs into one stylish, energy efficient, reliable, wire-free system. The minimalistic design of its RFID reader looks chic and discreet on any door, and it is available in two contemporary colours - Pearl Black and Ice White. It can also be combined with a wide range of designer handles.

Incorporating SALTO's Wireless DNA technology, AElement enables users to choose between the online and offline world as all locks are designed to be wireless ready right out of the box. Users simply choose the mode of operation they want, "Wireless online" or "Wireless ready". "Wireless online" locks are online and communicate in real time providing real time control over an entire property. "Wireless ready" locks can be 'switched' to real time online mode at any time. Just plug in the USB-sized RF communication antenna and you are ready to go.

It operates on a 2.4GHz wireless network and works with every popular mainstream RFID technology including Mifare, Mifare Plus, Desfire and Desfire EV1. Thanks to its SALTO Virtual Network (SVN) technology, AElement will always ensure your access control system is effective, efficient and secure.



MAIN FEATURES AND BENEFITS

- Simple offline installation.
- Wire-free stand alone networked system through SVN technology.
- Locks are connected to the system through the SALTO Virtual Network improving the security and efficiency of the system.
- Available in wireless version for wireless real-time control.
- Wireless ready version allows you to change from off-line to wireless providing online system for real time control with no need to hard wire.
- Contactless versions compatible with ISO 14.443A, ISO 14.443B and covering a wide range of mainstream RFID brands such as DESfire, Mifare and Mifare Ultralight C, Mifare Plus and DESFire EV1 allowing multiapplication with third party systems using one card.
- AElement contactless range is compatible with NFC (Near Field Communication) technology which allows NFC enabled cell phones to act as contactless data carriers to open and control SALTO access controlled doors.
- All communications between the carrier and the electronic lock are secured and encrypted for a higher level of security.
- Attractive range of standard handle designs and finishes.
- Compatible with DIN standard and ANSI Mortise locks.
- The lock can always be opened from the inside (a single action panic feature works in conjunction with the relevant mortise lock).
- Available in 8mm and 9mm SALTO split spindle versions.
- Extreme security through advanced hardened high resistance anti-drill plates to protect wires and reader area.
- Concealed fixing screws for greater security and improved aesthetics.
- Low battery power indication monitored through the SALTO Virtual Network (SVN) as low battery status information is written onto carriers and passed to the software. Also readings can be taken at the lock and passed to the software via PPD connection.
- Emergency opening by means of portable programming device (PPD).
- Non volatile memory (memory is not deleted, even without power).
- Locks are equipped with a low consumption real time clock function.
- Firmware upgrade through PPD firmware updater.

TECHNICAL DATA

- **Current required:**
 - Power supply: 3 alkaline batteries LR03 AAA 1,5V
 - Optional lithium batteries FR03
- **Number of openings:**
 - Contactless versions: Up to 50,000 openings.
- **Environmental conditions:**
 - 0° / 60°
- **Mortise lock compatibility:**
 - European Locks (DIN 18250)
 - ANSI Mortise Locks
- **Certifications:**
 - Declaration of Conformity CE
 - Use of radio frequency spectrum
 - ETSI EN 300 328 v1.7.1 (2006-10)
 - ETSI EN 302 291-2 V1.1.1 (2005-07)
 - Electromagnetic Compatibility
 - ETSI EN 301 489-1 (2008-04)
 - ETSI EN 301 489-3 (2002-08)
 - Security requirements
 - EN 60950-1 (2007)
 - Following the provisions of the directive
 - Fire certification
 - EI260, EI160 EN13501-2 (60 minutes)- (AElement European)
 - UL10C compliant (AElement ANSI)

Access control features:

- Maximum number of users per door: 4 million
- Maximum number of doors in a system: 64,000
- Maximum events on lock audit: 1,000
- Time zones: 256
- Time periods: 1,024
- Calendars in system: 256
- Zones in system: 1,024
- User groups: unlimited

Available lock modes:

- Standard: locked at all times.
- Office: office mode (free passage).
- Automatic opening: 8 pairs of "hands free" timed lock and unlocks per day with holidays.
- Toggle: present card to lock, present card to unlock.
- Time toggle: present card to lock, present card to unlock depending on schedules.

**MIFARE DESFire
Ultralight C**



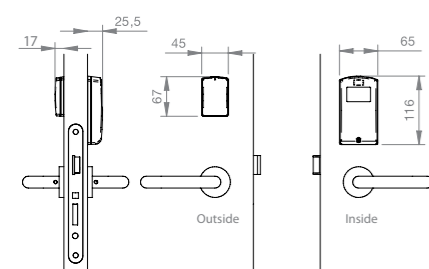
* Depending on the models.

AElement RFID Lock with Wireless DNA [WiDNA] by SALTO

AElement EURO version

The AElement EURO version is specially designed to fit on most Euro DIN 18250 profile doors. The minimalistic design of the RFID reader looks stylish and discreet on any door. It also offers the choice of a wide range of designs and finishes.

MODEL LE7E37 STANDARD DIN



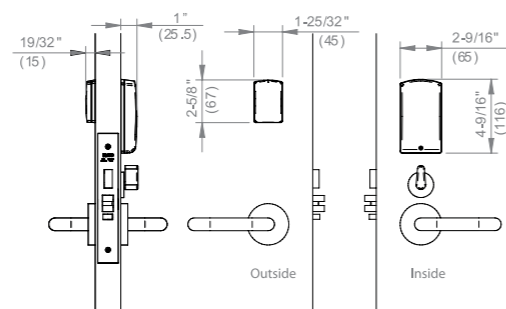
MAIN FEATURES

- Block mechanism lock.
- ID technologies available: Mifare, Mifare Plus, DESfire, DESFire EV1 and Mifare Ultralight C.
- Reader body made using double layered injection construction.
- Reader dimensions: 67mm x 45mm x 17mm
- Battery pack dimensions (inside): 116mm x 65mm x 25.5mm
- Compatible with European DIN 18250 mortise lock retrofit.
- SALTO square spindles available: 8 mm split and 9 mm split.
- Clear dual colour LED light (green/red) to indicate lock authorisation.
- Wire free stand alone networked system through SVN technology.
- Wireless ready lock that can be upgraded to wireless on-line.
- Electronic privacy function option through button on the inside (for hotel industry).
- Fire rated EI60.

AElement ANSI version

The AElement ANSI version is specially designed to fit on most ANSI A 156.13 doors. The minimalistic design of the RFID reader looks stylish and discreet on any door. It also offers the choice of a wide range of designs and finishes.

MODEL LA1T1770 STANDARD ANSI



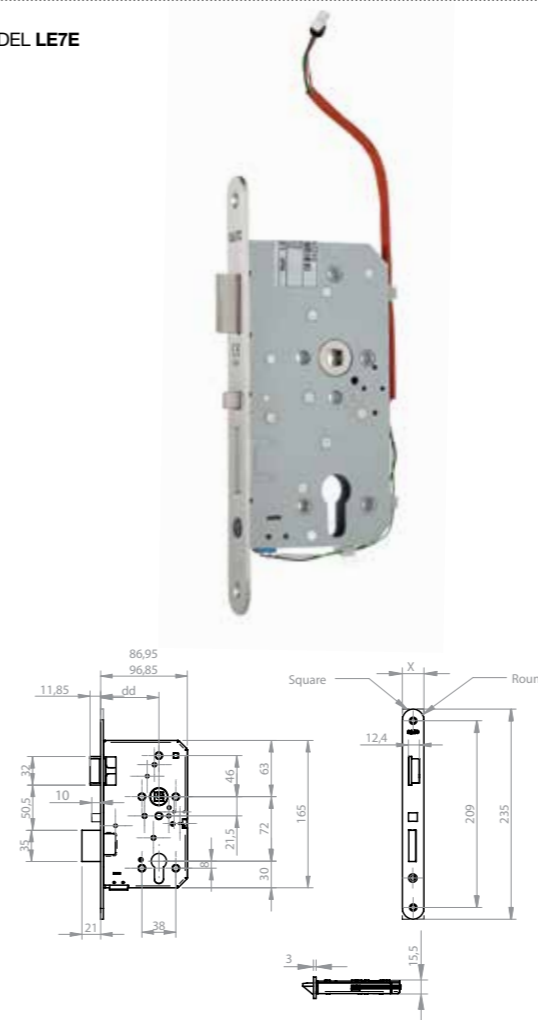
MAIN FEATURES

- Block mechanism lock.
- ID technologies available: Mifare, Mifare Plus, DESfire, DESFire EV1 and Mifare Ultralight C.
- Reader body made using double layered injection construction.
- Reader dimensions: 67mm x 45mm x 17mm
- Battery pack dimensions (inside): 116mm x 65mm x 25.5mm
- Compatible with ANSI A 156.13 standard mortise locks.
- SALTO square spindles available: 8 mm split.
- Clear dual colour LED light (green/red) to indicate lock authorisation.
- Wire free stand alone networked system through SVN technology.
- Wireless ready lock that can be upgraded to wireless on-line.
- Mechanical privacy function option through thumb turn on the inside (for hotel industry).
- 2 or 4 detectors available:
 - Handle detector to show openings performed using the inside handle.
 - Privacy detector.
 - Door detector.
 - Mechanical Key override detector.
- UL10C compliant (90 min. wooden doors).

AElement DIN18250 mortise lock

The AElement DIN18250 is specially designed to be used with the AElement electronic handle set that needs a EURO mortise lock DIN 18250. This lock is a balance between ease-of-use, security and warranty.

MODEL LE7E



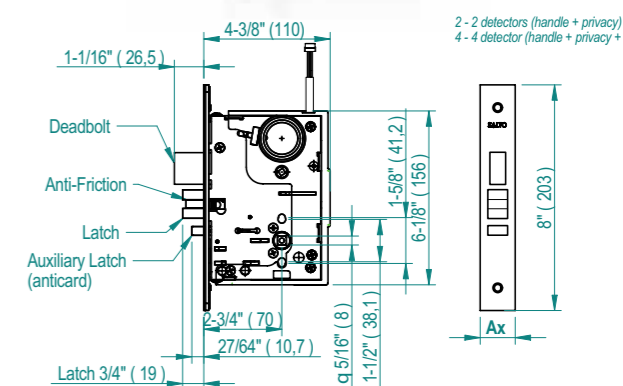
MAIN FEATURES

- Standard DIN 18250.
- To be used with AElement electronic lock handle set.
- Axe distance 72 mm.
- Lock latched deadbolt made of steel.
- Automatic deadbolt projection lock.
- Choice of finishes: satin stainless steel or gold enamelled.
- Front plate shape: square or round.
- Different backsets available.
- Handle rotation: 33°.
- Handle mechanism block.
- Inside always allows free egress (anti panic in combination with lock).
- Handed lock - L/R - not reversible.
- Squared spindles compatibility: 8mm or 9 mm (SALTO spindles required).
- EN 12209 compliant.

AElement ANSI mortise lock

The AElement ANSI is specially designed to be used with the AElement electronic handle set that needs a ANSI mortise lock ANSI A 156.13 Privacy function with deadbolt available for hospitality purposes.

MODEL LA1T17



MAIN FEATURES

- ANSI A 156.13.
- To be used with AElement electronic lock handle set.
- Mechanical deadbolt projection lock (deadbolt privacy).
- Version without deadbolt available.
- Thumbturn to handle distance 62 mm
- Lock latched deadbolt made of steel.
- Different front plate available.
- Front plate shape: square.
- Different backsets available.
- Handle rotation: 52°.
- Handle mechanism block.
- Inside always allows free egress (anti panic in combination with lock).
- Handed lock - L/R - reversible via a quick and simple 2-step operation.
- Built in privacy detector and door detector (depending on the model).
- Squared spindles compatibility: 8mm (SALTO spindles required).
- 2 or 4 detectors available:
 - Handle detector to show openings performed using the inside handle.
 - Privacy detector.
 - Door detector.
 - Mechanical Key override detector.
- UL10C compliant.

AElement RFID Lock with Wireless DNA [WiDNA] by SALTO

AElement finishes

The huge range of finishes and handle set combinations make AElement suitable for use in any environment. Its minimalist design makes it the perfect choice to complement a wide range of architectural styles including classic, contemporary, modern and minimalistic finishes. Whatever your style, AElement has something for you.

AElement finishes

White reader / Black reader
PVD Polished brass base (PP)



White reader / Black reader
PVD Antique brass base (LA)



White reader / Black reader
PVD Polished brass base (PP)



White reader / Black reader
PVD Antique brass base (LA)



White reader / Black reader
PVD Satin brass base (PM)



White reader / Black reader
Bright chrome base (IP)



White reader / Black reader
PVD Satin brass base (PM)



White reader / Black reader
Bright chrome base (IP)



White reader / Black reader
Satin chrome base (IM)



White reader / Black reader
Satin chrome base (IM)



Battery Holder Finishes

White reader / Black reader
PVD Polished brass base (PP)



White reader / Black reader
PVD Antique brass base (LA)



White reader / Black reader
PVD Satin brass base (PM)



White reader / Black reader
Bright chrome base (IP)



White reader / Black reader
Satin chrome base (IM)



Handles

AElement offers a wide choice of functional and stylish handle designs and roses suitable for use on any type of door. Various finish options are available to allow for contemporary or classic styling and to perfectly compliment any taste in design and décor. For those with impaired vision requirements, DDA approved versions are available.

J | handle

IM / satin stainless steel



L | handle

IA / Special finish simulating antique brass · IM / Satin stainless steel · IP / Polished stainless steel PM / PVD finish simulating satin brass · PP / PVD finish simulating polished brass



O | handle

IA / Special finish simulating antique brass · IM / Satin stainless steel PM / PVD finish simulating satin brass · PP / PVD finish simulating polished brass



S | handle

IM / satin stainless steel



T | handle

IM / satin stainless steel



E | handle

IA / Special finish simulating antique brass · IM / Satin stainless steel · IP / Polished stainless steel PM / PVD finish simulating satin brass · PP / PVD finish simulating polished brass



W | handle

IA / Special finish simulating antique brass · IM / Satin stainless steel · IP / Polished stainless steel PM / PVD finish simulating satin brass · PP / PVD finish simulating polished brass





XS4 GEO

Electronic Cylinders

www.saltosystems.com

XS4 GEO

Global Electronic Opening Cylinder



- 1** Suitable for Wooden, Metal and Glass Doors.
- 2** Server and rack solutions.
- 3** Padlock solutions.
- 4** Elevator solutions.
- 5** Switch solutions.
- 6** i-button ID technology.



The XS4 GEO range of electronic cylinders is fully integrated with the SALTO XS4 platform and their versatile, compact size makes them an ideal solution for almost any type of door where fitting a conventional electronic handle set is not possible or required.

The XS4 thumb turn SALTO XS4 GEO models offer virtual network capability thanks to their SALTO Virtual Network (SVN) technology, as well as a choice of ID carriers including i-Button, Legic Advant, Mifare, Mifare Plus, Mifare Ultralight C, DESFire, DESFire EV1, HID iClass®, Picopass and Skidata.

Whatever your access control needs, XS4 GEO electronic cylinders provide an ultra modern solution that will compliment any type of door, wherever they are used.

MAIN FEATURES AND BENEFITS

- Simple offline installation is possible on any type of door, including those with narrow frames.
- Virtual network capable through SALTO Virtual Network technology.
- User on card audit trailing capability via the SALTO Virtual Network (SVN).
- Wireless real-time online capabilities through the SALTO wireless network*.
- Contactless versions compatible with ISO 14.443A, ISO 14.443B, ISO 15693 (Vicinity) and covering a wide range of mainstream RFID brands such as DESfire, DESfire EV1, Mifare, Mifare plus, Mifare Ultralight C, Legic Advant and HID iClass®, Skidata and Inside Picopass allowing multiapplication with third party systems using one card.
- XS4 GEO Electronic cylinder contactless range is compatible with NFC (Near Field Communication) technology which allows NFC enabled cell phones to act as contactless data carriers to open and control SALTO access controlled doors.
- All communications between the carrier and the electronic cylinder are encrypted and secured.
- Choice of different cam and cylinder profiles: Euro profile, UK oval, Scandinavian, Mortise cylinders, Australian oval profile, or RIM cylinders.
- Available in 6 different finishes: satin chrome, polished chrome, polished brass, satin brass, black satin chromiun and BioCote®.
- High security via high resistance, hardened anti-drill protection.
- Concealed fixing screws for greater security and improved aesthetics.
- Low battery power indication monitored through the SALTO Virtual Network (SVN) as low battery status information is written into carriers and passed to the software. Also readings can be taken at the lock and passed to the software via PPD connection.
- Dual colour LED (green / red) to indicate access authorisation.
- Emergency opening by means of portable programming device (PPD).
- Firmware upgradable through PPD.



TECHNICAL DATA

- **Current required:**
 - 1 Lithium standard battery CR2.
- **Number of openings:**
 - i-Button version: up-to 60,000 on 1 battery.
 - Contactless versions: Up to 40.000 openings.
- **Environmental conditions:**
 - -20° / 60°
- **Certifications:**
 - Declaration of Comity CE
 - Use of radio frequency spectrum
 - ETSI EN 302 291-1 V1.1.1 (2005-07)
 - ETSI EN 302 291-2 V1.1.1 (2005-07)
 - Electromagnetic Compatibility
 - ETSI EN 301 489-1 (2011-09)
 - ETSI EN 301 489-3 (2002-08)
 - Security requirements
 - EN 60950-1 (2007)
 - Following the provisions of the directive
 - Mechanical certifications against vandalism & fire
 - SKG*** certified.
 - VDS BZ+ compliant.
 - EN 1634 - 1 90 min. EI90 fire resistant.

Access control features:

- Maximum number of users per door: 4 million
- Maximum number of doors in a system: 64,000
- Maximum events on cylinder audit: 1,000
- Time zones: 256
- Time periods: 1,024
- Calendars in system: 256
- Zones in system: 1,024
- User groups: unlimited.

Available lock modes:

- Standard (locked at all times).
- Automatic opening (8 pairs of "hands free" timed lock and unlocks per day with holidays).
- Toggle (present card to lock, present card to unlock).
- Timed toggle (present card to lock, present card to unlock depending on schedules).

* Options depending on the model.

MIFARE DESFire
Ultralight C



LEGIC
Innovation in ID technology
advant



SKIDATA



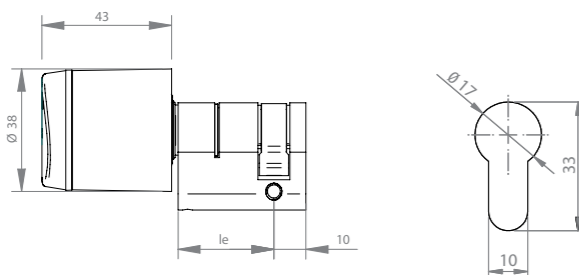
* Depending on the models.

XS4 GEO Electronic cylinders: EU Profile

XS4 GEO European profile half cylinder

The XS4 GEO European profile half cylinder is specially designed to fit most Euro doors that are equipped with a European profile cylinder mortise lock.

MODEL GxE1



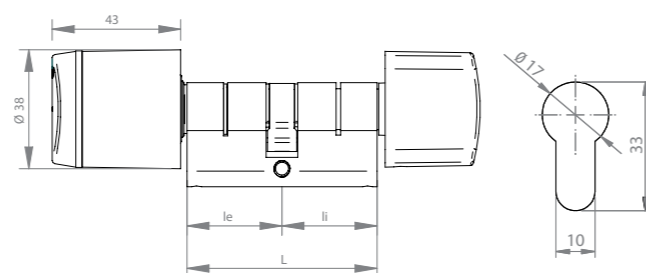
MAIN FEATURES

- Fully integrated with the SALTO XS4 platform.
- Virtual network capable through SALTO Virtual Network technology.
- Available in wireless version for wireless real-time control*.
- Choice of ID carriers: i-Button, HID iClass®, LEGIC Advant, Mifare, DESFire , Mifare Ultralight C, DESFire EV1, Skidata and Inside Picopass.
- NFC compatible on contactless versions.
- All communications between the carrier and the XS4 GEO cylinder are encrypted and secure.
- Available in 6 different finishes: satin chrome, polished chrome, polished brass, satin brass, black satin chromiun and BioCote®.
- Different cam options: 15mm DIN cam and 13.2mm for metals doors EU profiles, 10 teeth cog wheel cam and 13 teeth cog wheel cam.
- High security via high resistance, hardened anti-drill protection.
- Concealed fixing screws for greater security and improved aesthetics.
- Optional, torx screw to tighten the knob and convert the cylinder on a fix knob cylinder.
- Emergency opening by means of portable programming device (PPD).
- Anti-Panic function available.
- Available from 40mm up to 195mm in thickness (special body lenght available for glass doors).
- Plus plug options (+5mm / +10mm) for doors where cylinders needs additional length between the knob and the body.
- IP protection: model IP55 and model IP66 for outside use.
- SKG*** compliant and VDS BZ+ approval models available.

XS4 GEO European profile cylinder with thumbturn

The XS4 GEO European cylinder is specially designed to fit most Euro doors that are equipped with a European profile cylinder mortise lock and also need to be opened also from the inside.

MODEL GxE2



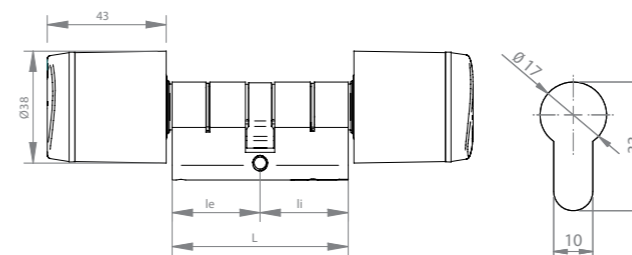
MAIN FEATURES

- Fully integrated with the SALTO XS4 platform.
- Virtual network capable through SALTO Virtual Network technology.
- Available in wireless version for wireless real-time control*.
- Choice of ID carriers: i-Button, HID iClass®, LEGIC Advant, Mifare, DESFire , Mifare Ultralight C, DESFire EV1, Skidata and Inside Picopass.
- NFC compatible on contactless versions.
- All communications between the carrier and the XS4 GEO cylinder are encrypted and secure.
- Available in 6 different finishes: satin chrome, polished chrome, polished brass, satin brass, black satin chromiun and BioCote®.
- Available with 2 different locking thumbturns.
- Different cam options: 15mm DIN cam and 13.2mm for metals doors EU profiles, 10 teeth cog wheel cam and 13 teeth cog wheel cam.
- High security via high resistance, hardened anti-drill protection.
- Concealed fixing screws for greater security and improved aesthetics.
- Optional, torx screw to tighten the knob and convert the cylinder on a fix knob cylinder.
- Emergency opening by means of portable programming device (PPD).
- Anti-Panic function available.
- Available from 40mm up to 195mm in thickness (special body lenght available for glass doors).
- Plus plug options (+5mm / +10mm) for doors where cylinders needs additional length between the knob and the body.
- IP protection: model IP55 and model IP66 for outside use.
- SKG*** compliant and VDS BZ+ approval models available.

XS4 GEO European profile double cylinder

The XS4 GEO European profile cylinder is specially designed to fit most Euro doors that are equipped with a European profile cylinder mortise lock and where a double control (entrance & exit) function is needed.

MODEL GxE3



MAIN FEATURES

- Fully integrated with the SALTO XS4 platform.
- Virtual network capable through SALTO Virtual Network technology.
- Available in wireless version for wireless real-time control*.
- Choice of ID carriers: i-Button, HID iClass®, LEGIC Advant, Mifare, DESFire , Mifare Ultralight C, DESFire EV1, Skidata and Inside Picopass.
- NFC compatible on contactless versions.
- All communications between the carrier and the XS4 GEO cylinder are encrypted and secure.
- Available in 6 different finishes: satin chrome, polished chrome, polished brass, satin brass, black satin chromiun and BioCote®.
- Different cam options: 15mm DIN cam and 13.2mm for metals doors EU profiles, 10 teeth cog wheel cam and 13 teeth cog wheel cam.
- High security via high resistance, hardened anti-drill protection.
- Concealed fixing screws for greater security and improved aesthetics.
- Optional, torx screw to tighten the knob and convert the cylinder on a fix knob cylinder.
- Emergency opening by means of portable programming device (PPD).
- Anti-Panic function available.
- Available from 40mm up to 195mm in thickness (special body lenght available for glass doors).
- Plus plug options (+5mm / +10mm) for doors where cylinders needs additional length between the knob and the body.
- IP protection: model IP55 and model IP66 for outside use.
- SKG*** compliant and VDS BZ+ approval models available.

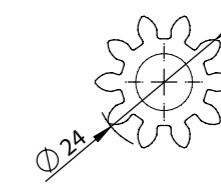
XS4 GEO European profile cog-wheel cam

The XS4 GEO European profile cylinder is specially designed to fit most lock cases using a cog wheel locking mechanism.

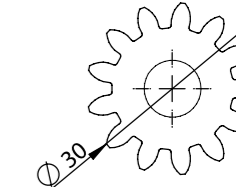
MODEL GxE2xG



Cogweel 10 teeth (G)



Cogweel 13 teeth (Z)



MAIN FEATURES

- 2 different Cog Wheel Cams available for EU profile mortise locks:
 - Cog-wheel cam 10 teeth.
 - Cog-wheel cam 13 teeth.
- Available in Swiss round profile.
- Available from 40. up to 200mm in thickness depending on the model.
- Plus plug options (+5mm / +10mm) for doors where cylinders needs additional length between the knob and the body.
- IP protection: model IP55 and model IP66 for outside use.
- SKG*** compliant and VDS BZ+ approval models available.



MODEL GxE1xG



MODEL GxE3xG

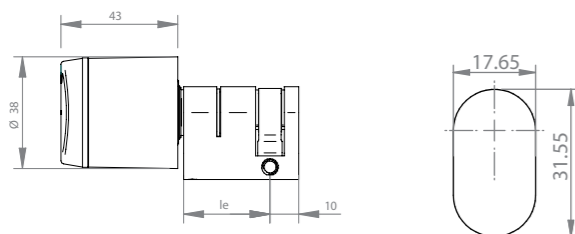
* Depending on the models.

XS4 GEO Electronic cylinders: UK Oval Profile

XS4 GEO UK Oval profile half cylinder

The XS4 GEO UK half cylinder is specially designed to fit most doors that are equipped with a UK oval profile cylinder mortise lock.

MODEL GxU1



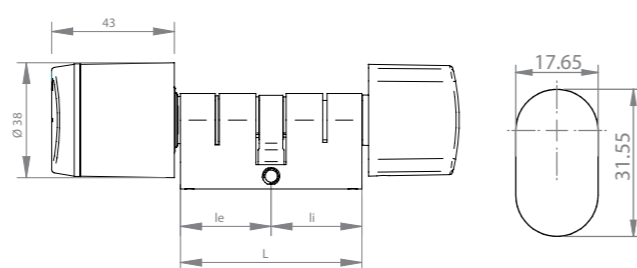
MAIN FEATURES

- Fully integrated with the SALTO XS4 platform.
- Virtual network capable through SALTO Virtual Network technology.
- Available in wireless version for wireless real-time control*.
- Choice of ID carriers: i-Button, HID iClass®, LEGIC Advant, Mifare, DESFire , Mifare Ultralight C, DESFire EV1, Skidata and Inside Picopass.
- NFC compatible on contactless versions.
- All communications between the carrier and the XS4 GEO cylinder are encrypted and secure.
- Available in 6 different finishes: satin chrome, polished chrome, polished brass, satin brass, black satin chromiun and BioCote®.
- Cam: UK cam 14.3mm.
- High security via high resistance, hardened anti-drill protection.
- Concealed fixing screws for greater security and improved aesthetics.
- Optional, torx screw to tighten the knob and convert the cylinder on a fix knob cylinder.
- Emergency opening by means of portable programming device (PPD).
- Available from 40mm up to 195mm in thickness (special body lenght available for glass doors).
- Plus plug options (+5mm / +10mm) for doors where cylinders needs additional length between the knob and the body.
- IP protection: model IP55 and model IP66 for outside use.

XS4 GEO UK Oval profile cylinder with thumbturn

The XS4 GEO UK oval cylinder is specially designed to fit most doors that are equipped with a UK profile cylinder mortise lock. Opening from the inside is always possible through its built in thumbturn.

MODEL GxU2



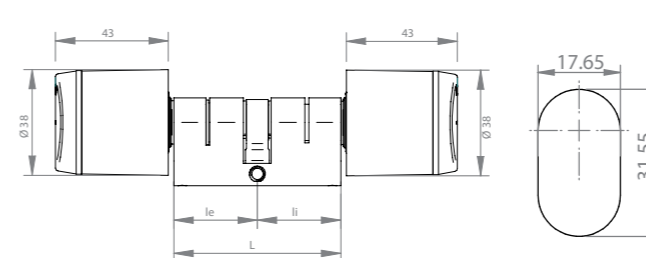
MAIN FEATURES

- Fully integrated with the SALTO XS4 platform.
- Virtual network capable through SALTO Virtual Network technology.
- Available in wireless version for wireless real-time control*.
- Choice of ID carriers: i-Button, HID iClass®, LEGIC Advant, Mifare, DESFire , Mifare Ultralight C, DESFire EV1, Skidata and Inside Picopass.
- NFC compatible on contactless versions.
- All communications between the carrier and the XS4 GEO cylinder are encrypted and secure.
- Available in 6 different finishes: satin chrome, polished chrome, polished brass, satin brass, black satin chromiun and BioCote®.
- Available with 2 different locking thumbturns.
- Cam: UK cam 14.3mm.
- Versions for glass door available.
- High security via high resistance, hardened anti-drill protection.
- Concealed fixing screws for greater security and improved aesthetics.
- Optional, torx screw to tighten the knob and convert the cylinder on a fix knob cylinder.
- Emergency opening by means of portable programming device (PPD).
- Available from 40mm up to 370mm in thickness (special body lenght available for for glass doors).
- Plus plug options (+5mm / +10mm) for doors where cylinders needs additional length between the knob and the body.
- IP protection: model IP55 and model IP66 for outside use.

XS4 GEO UK Oval profile double cylinder

The XS4 GEO UK oval cylinder is specially designed to fit most doors that are equipped with a UK profile cylinder mortise lock and where a double control (entrance & exit) function is needed.

MODEL GxU3



MAIN FEATURES

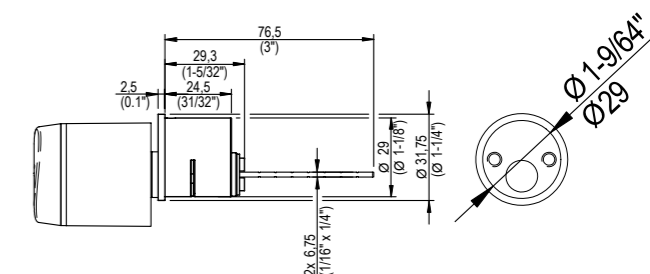
- Fully integrated with the SALTO XS4 platform.
- Virtual network capable through SALTO Virtual Network technology.
- Available in wireless version for wireless real-time control*.
- Choice of ID carriers: i-Button, HID iClass®, LEGIC Advant, Mifare, DESFire , Mifare Ultralight C, DESFire EV1, Skidata and Inside Picopass.
- NFC compatible on contactless versions.
- All communications between the carrier and the XS4 GEO cylinder are encrypted and secure.
- Available in 6 different finishes: satin chrome, polished chrome, polished brass, satin brass, black satin chromiun and BioCote®.
- Cam: UK cam 14.3mm.
- Versions for glass door available.
- High security via high resistance, hardened anti-drill protection.
- Concealed fixing screws for greater security and improved aesthetics.
- Optional, torx screw to tighten the knob and convert the cylinder on a fix knob cylinder.
- Emergency opening by means of portable programming device (PPD).
- Available from 40mm up to 370mm in thickness (special body lenght available for for glass doors).
- Plus plug options (+5mm / +10mm) for doors where cylinders needs additional length between the knob and the body.
- IP protection: model IP55 and model IP66 for outside use.

XS4 GEO Electronic cylinders: UK RIM Profile

XS4 GEO UK RIM profile cylinder

The XS4 GEO UK RIM cylinder is specially designed to fit most doors that are equipped with surface mounted lock cases, panic bars and top guards that need this kind of locking system.

MODEL GxK1



MAIN FEATURES

- Fully integrated with the SALTO XS4 platform.
- Virtual network capable through SALTO Virtual Network technology.
- Available in wireless version for wireless real-time control*.
- Choice of ID carriers: i-Button, HID iClass®, LEGIC Advant, Mifare, DESFire , Mifare Ultralight C, DESFire EV1, Skidata and Inside Picopass.
- NFC compatible on contactless versions.
- All communications between the carrier and the XS4 GEO cylinder are encrypted and secure.
- Available in 6 different finishes: satin chrome, polished chrome, polished brass, satin brass, black satin chromiun and BioCote®.
- High security via high resistance, hardened anti-drill protection.
- Concealed fixing screws for greater security and improved aesthetics.
- Optional, torx screw to tighten the knob and convert the cylinder on a fix knob cylinder.
- Emergency opening by means of portable programming device (PPD).
- IP protection: model IP55 and model IP66 for outside use.

* Depending on the models.

XS4 GEO Electronic cylinders: Scandinavian profile

XS4 GEO scandinavian profile oval exterior cylinder

The XS4 GEO Scandinavian external cylinder is specially designed to fit most doors that are equipped with a Scandinavian profile cylinder mortise lock. In combination with the GxS2 it can be a double reader (entrance & exit).

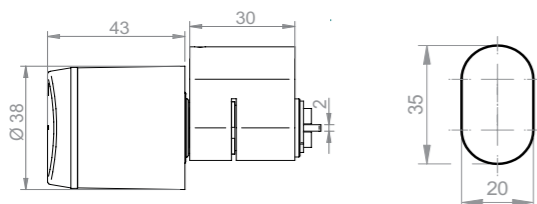
MODEL GxS1



Enabled



Available



MAIN FEATURES

- Fully integrated with the SALTO XS4 platform.
- Virtual network capable through SALTO Virtual Network technology.
- Available in wireless version for wireless real-time control*.
- Choice of ID carriers: i-Button, HID iClass®, LEGIC Advant, Mifare, DESFire , Mifare Ultralight C, DESFire EV1, Skidata and Inside Picopass.
- NFC compatible on contactless versions.
- All communications between the carrier and the XS4 GEO cylinder are encrypted and secure.
- Available in 6 different finishes: satin chrome, polished chrome, polished brass, satin brass, black satin chromiun and BioCote®.
- High security via high resistance, hardened anti-drill protection.
- Concealed fixing screws for greater security and improved aesthetics.
- Optional, torx screw to tighten the knob and convert the cylinder on a fix knob cylinder.
- Emergency opening by means of portable programming device (PPD).
- IP protection: model IP55 and model IP66 for outside use.
- In combination with the G9S2 it can be a double reader.

XS4 GEO scandinavian profile oval interior cylinder

The XS4 GEO Scandinavian internal cylinder is specially designed to fit most doors that are equipped with a Scandinavian profile cylinder mortise lock. In combination with the GxS1 it can be a double reader (entrance & exit)

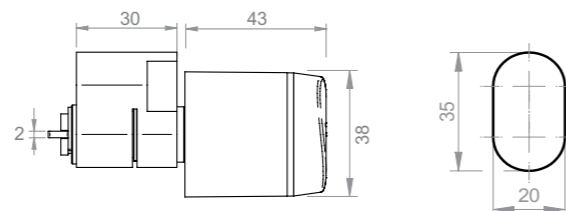
MODEL GxS2



Enabled



Available



MAIN FEATURES

- Fully integrated with the SALTO XS4 platform.
- Virtual network capable through SALTO Virtual Network technology.
- Available in wireless version for wireless real-time control*.
- Choice of ID carriers: i-Button, HID iClass®, LEGIC Advant, Mifare, DESFire , Mifare Ultralight C, DESFire EV1, Skidata and Inside Picopass.
- NFC compatible on contactless versions.
- All communications between the carrier and the XS4 GEO cylinder are encrypted and secure.
- Available in 6 different finishes: satin chrome, polished chrome, polished brass, satin brass, black satin chromiun and BioCote®.
- High security via high resistance, hardened anti-drill protection.
- Concealed fixing screws for greater security and improved aesthetics.
- Optional, torx screw to tighten the knob and convert the cylinder on a fix knob cylinder.
- Emergency opening by means of portable programming device (PPD).
- IP protection: model IP55 and model IP66 for outside use.
- In combination with the G9S1 it can be a double reader.

XS4 GEO Electronic cylinders: Scandinavian Security profile

XS4 GEO scandinavian profile security cylinder

The XS4 GEO Scandinavian external cylinder is specially designed to fit most doors that are equipped with a Scandinavian Security external profile cylinder mortise lock.

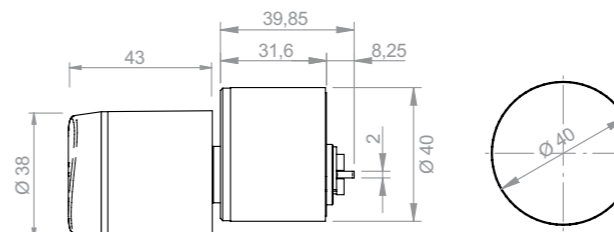
MODEL GxS3



Enabled



Available



MAIN FEATURES

- Fully integrated with the SALTO XS4 platform.
- Virtual network capable through SALTO Virtual Network technology.
- Available in wireless version for wireless real-time control*.
- Choice of ID carriers: i-Button, HID iClass®, LEGIC Advant, Mifare, DESFire , Mifare Ultralight C, DESFire EV1, Skidata and Inside Picopass.
- NFC compatible on contactless versions.
- All communications between the carrier and the XS4 GEO cylinder are encrypted and secure.
- Available in 6 different finishes: satin chrome, polished chrome, polished brass, satin brass, black satin chromiun and BioCote®.
- High security via high resistance, hardened anti-drill protection.
- Concealed fixing screws for greater security and improved aesthetics.
- Optional, torx screw to tighten the knob and convert the cylinder on a fix knob cylinder.
- Emergency opening by means of portable programming device (PPD).
- IP protection: model IP55 and model IP66 for outside use.

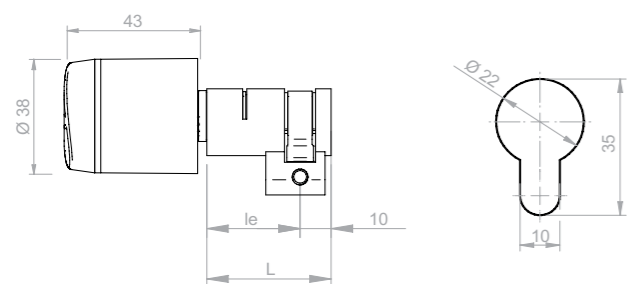
* Depending on the models.

XS4 GEO Electronic cylinders: Swiss profile

XS4 GEO Swiss profile round half cylinder

The XS4 GEO Swiss profile half cylinder is specially designed for doors with a Swiss Round profile cylinder mortise lock. This can also be used for special applications, e.g. in switch solutions for garage doors or on an elevator panel.

MODEL GxH1



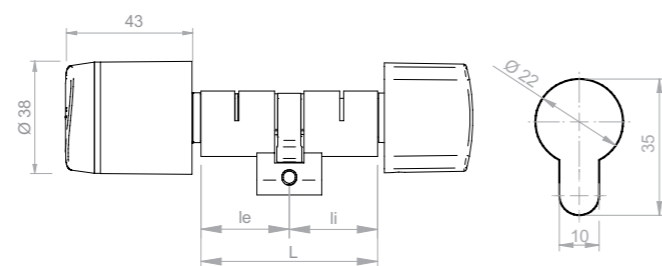
MAIN FEATURES

- Fully integrated with the SALTO XS4 platform.
- Virtual network capable through SALTO Virtual Network technology.
- Available in wireless version for wireless real-time control*.
- Choice of ID carriers: i-Button, HID iClass®, LEGIC Advant, Mifare, DESFire, Mifare Ultralight C, DESFire EV1, Skidata and Inside Picopass.
- NFC compatible on contactless versions.
- All communications between the carrier and the XS4 GEO cylinder are encrypted and secure.
- Available in 6 different finishes: satin chrome, polished chrome, polished brass, satin brass, black satin chromiun and BioCote®.
- Different cam options: 15mm cam for Swiss profiles, 10 teeth cog wheel cam and 13 teeth cog wheel cam.
- High security via high resistance, hardened anti-drill protection.
- Concealed fixing screws for greater security and improved aesthetics.
- Optional, torx screw to tighten the knob and convert the cylinder on a fix knob cylinder.
- Emergency opening by means of portable programming device (PPD).
- Available from 40mm up to 195mm in thickness (special body length available for glass doors).
- Plus plug options (+5mm / +10mm) for doors where cylinders needs additional length between the knob and the body.
- IP protection: model IP55 and model IP66 for outside use.
- SKG*** compliant models available.

XS4 GEO Swiss profile round cylinder

The XS4 GEO Swiss profile cylinder is specially designed for doors with a Swiss Round profile cylinder mortise lock with thumbturn inside.

MODEL GxH2



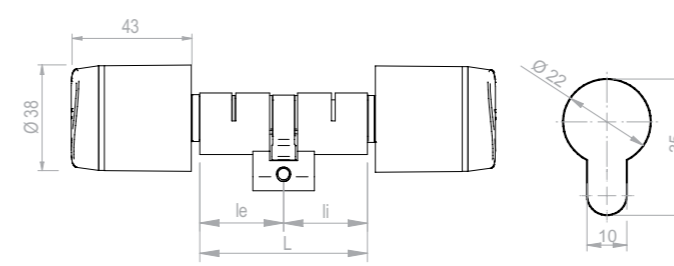
MAIN FEATURES

- Fully integrated with the SALTO XS4 platform.
- Virtual network capable through SALTO Virtual Network technology.
- Available in wireless version for wireless real-time control*.
- Choice of ID carriers: i-Button, HID iClass®, LEGIC Advant, Mifare, DESFire, Mifare Ultralight C, DESFire EV1, Skidata and Inside Picopass.
- NFC compatible on contactless versions.
- All communications between the carrier and the XS4 GEO cylinder are encrypted and secure.
- Available in 6 different finishes: satin chrome, polished chrome, polished brass, satin brass, black satin chromiun and BioCote®.
- Different cam options: 15mm cam for Swiss profiles, 10 teeth cog wheel cam and 13 teeth cog wheel cam.
- High security via high resistance, hardened anti-drill protection.
- Concealed fixing screws for greater security and improved aesthetics.
- Optional, torx screw to tighten the knob and convert the cylinder on a fix knob cylinder.
- Emergency opening by means of portable programming device (PPD).
- Available from 40mm up to 370mm in thickness (special body length available for glass doors).
- Plus plug options (+5mm / +10mm) for doors where cylinders needs additional length between the knob and the body.
- IP protection: model IP55 and model IP66 for outside use.
- SKG*** compliant models available.

XS4 GEO Swiss profile round double cylinder

The XS4 GEO Swiss profile double cylinder is specially designed for doors with a Swiss Round profile cylinder mortise lock and where a double control (entrance & exit) function is needed.

MODEL GxH3



MAIN FEATURES

- Fully integrated with the SALTO XS4 platform.
- Virtual network capable through SALTO Virtual Network technology.
- Available in wireless version for wireless real-time control*.
- Choice of ID carriers: i-Button, HID iClass®, LEGIC Advant, Mifare, DESFire, Mifare Ultralight C, DESFire EV1, Skidata and Inside Picopass.
- NFC compatible on contactless versions.
- All communications between the carrier and the XS4 GEO cylinder are encrypted and secure.
- Available in 6 different finishes: satin chrome, polished chrome, polished brass, satin brass, black satin chromiun and BioCote®.
- Different cam options: 15mm cam for Swiss profiles, 10 teeth cog wheel cam and 13 teeth cog wheel cam.
- High security via high resistance, hardened anti-drill protection.
- Concealed fixing screws for greater security and improved aesthetics.
- Optional, torx screw to tighten the knob and convert the cylinder on a fix knob cylinder.
- Emergency opening by means of portable programming device (PPD).
- Available from 40mm up to 370mm in thickness (special body length available for glass doors).
- Plus plug options (+5mm / +10mm) for doors where cylinders needs additional length between the knob and the body.
- IP protection: model IP55 and model IP66 for outside use.
- SKG*** compliant models available.

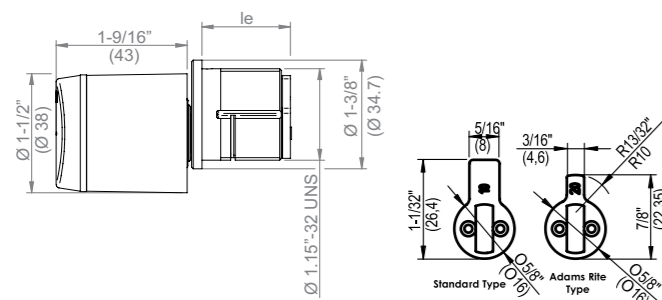
* Depending on the models.

XS4 GEO Electronic cylinders: ANSI profile

XS4 GEO Mortise cylinder

The XS4 GEO Mortise cylinder is specially designed to fit most doors that are equipped with a mortise lock that need a mortise cylinder.

MODEL GxM1



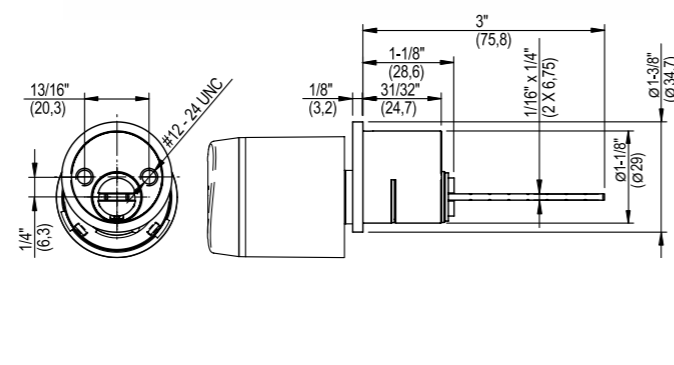
MAIN FEATURES

- Fully integrated with the SALTO XS4 platform.
- Virtual network capable through SALTO Virtual Network technology.
- Available in wireless version for wireless real-time control*.
- Choice of ID carriers: i-Button, HID iClass®, LEGIC Advant, Mifare, DESFire, Mifare Ultralight C, DESFire EV1, Skidata and Inside Picopass.
- NFC compatible on contactless versions.
- All communications between the carrier and the XS4 GEO cylinder are encrypted and secure.
- Available in 6 different finishes: satin chrome, polished chrome, polished brass, satin brass, black satin chromiun and BioCote®.
- High security via high resistance, hardened anti-drill protection.
- Concealed fixing screws for greater security and improved aesthetics.
- Optional, torx screw to tighten the knob and convert the cylinder on a fix knob cylinder.
- Emergency opening by means of portable programming device (PPD).
- Cam options: includes 2 of the most popular cams.
- Available for distances from 29mm up to 50mm (1-1/8" upto 1").
- IP protection: model IP55 and model IP66 for outside use.

XS4 GEO RIM cylinder

The XS4 GEO US RIM cylinder is specially designed to fit most doors that are equipped with surface mounted lock cases, panic bars and top guards that need a RIM cylinder.

MODEL GxB1



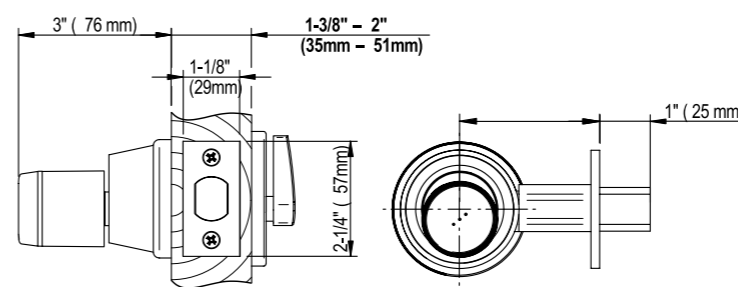
MAIN FEATURES

- Fully integrated with the SALTO XS4 platform.
- Virtual network capable through SALTO Virtual Network technology.
- Available in wireless version for wireless real-time control*.
- Choice of ID carriers: i-Button, HID iClass®, LEGIC Advant, Mifare, DESFire, Mifare Ultralight C, DESFire EV1, Skidata and Inside Picopass.
- NFC compatible on contactless versions.
- All communications between the carrier and the XS4 GEO cylinder are encrypted and secure.
- Available in 6 different finishes: satin chrome, polished chrome, polished brass, satin brass, black satin chromiun and BioCote®.
- High security via high resistance, hardened anti-drill protection.
- Concealed fixing screws for greater security and improved aesthetics.
- Optional, torx screw to tighten the knob and convert the cylinder on a fix knob cylinder.
- Emergency opening by means of portable programming device (PPD).
- Collar included.
- IP protection: model IP55 and model IP66 for outside use.

XS4 GEO deadbolt cylinder

The XS4 GEO brand new electronic heavy duty deadbolt cylinder meets A156.36 grade 1 requirements, and also has a trim ring with protective sleeves that protects and prevents the lock from being attacked through the door. The trim ring also protects the lock from attacks coming vertically. It is designed to provide high levels of security and fit all standard doors in ANSI markets. It is available with three different functions: single cylinder, classroom style and double cylinder for both inside and outside opening with the smart credential.

MODEL GxB3



MAIN FEATURES

- Fully integrated with the SALTO XS4 platform.
- Virtual network capable through SALTO Virtual Network technology.
- Available in wireless version for wireless real-time control*.
- Choice of ID carriers: i-Button, HID iClass®, LEGIC Advant, Mifare, DESFire, Mifare Ultralight C, DESFire EV1, Skidata and Inside Picopass.
- NFC compatible on contactless versions.
- All communications between the carrier and the XS4 GEO cylinder are encrypted and secure.
- Available only in satin chrome.
- High security via high resistance, hardened anti-drill protection.
- Concealed fixing screws for greater security and improved aesthetics.
- Optional, torx screw to tighten the knob and convert the cylinder on a fix knob cylinder.
- Emergency opening by means of portable programming device (PPD).
- 3 different functions: single cylinder, classroom style and double cylinder for both inside and outside opening.
- Meets A156.36 grade 1 deadbolt requirements.
- IP protection: model IP55 and model IP66 for outside use.

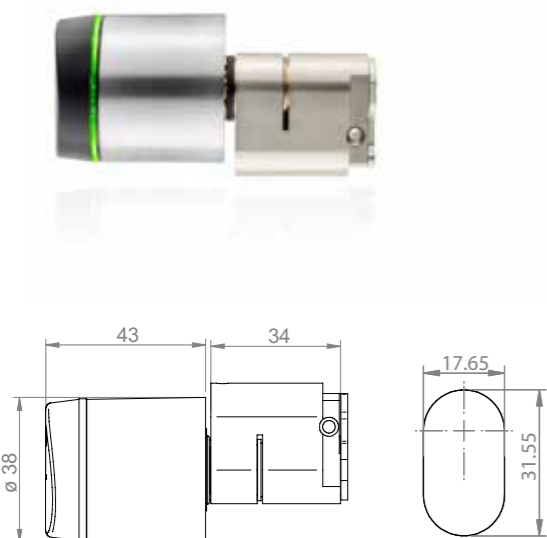
* Depending on the models.

XS4 GEO Electronic cylinders

XS4 GEO Australian Oval profile cylinder

The XS4 GEO Australian oval profile cylinder is specially designed to fit most Australian doors that are equipped with a Australian oval profile cylinder mortise lock.

MODEL GxA1



MAIN FEATURES

- Fully integrated with the SALTO XS4 platform.
- Virtual network capable through SALTO Virtual Network technology.
- Available in wireless version for wireless real-time control*.
- Choice of ID carriers: i-Button, HID iClass®, LEGIC Advant, Mifare, DESFire, Mifare Ultralight C, DESFire EV1, Skidata and Inside Picopass.
- NFC compatible on contactless versions.
- All communications between the carrier and the XS4 GEO cylinder are encrypted and secure.
- Available in 6 different finishes: satin chrome, polished chrome, polished brass, satin brass, black satin chromiun and BioCote®.
- High security via high resistance, hardened anti-drill protection.
- Concealed fixing screws for greater security and improved aesthetics.
- Optional, torx screw to tighten the knob and convert the cylinder on a fix knob cylinder.
- Emergency opening by means of portable programming device (PPD).
- IP protection: model IP55 and model IP66 for outside use.

XS4 GEO cylinder for swing handle

The XS4 GEO half cylinder is specially designed to fit most swing handle* server racks (DIRAK®, EMKA® and others). Ideal for use on applications where control of the operation of the rack is needed, it enhances control and security of server rack access.

MODEL GxE9



MAIN FEATURES

- Fully integrated with the SALTO XS4 platform.
- Virtual network capable through SALTO Virtual Network technology.
- Available in wireless version for wireless real-time control*.
- Choice of ID carriers: i-Button, HID iClass®, LEGIC Advant, Mifare, DESFire, Mifare Ultralight C, DESFire EV1, Skidata and Inside Picopass.
- NFC compatible on contactless versions.
- All communications between the carrier and the XS4 GEO cylinder are encrypted and secure.
- Available in 6 different finishes: satin chrome, polished chrome, polished brass, satin brass, black satin chromiun and BioCote®.
- Optional, with knob extension of 5mm or 10mm for swinghandles with sliding cover.
- High security via high resistance, hardened anti-drill protection.
- Concealed fixing screws for greater security and improved aesthetics.
- Optional, torx screw to tighten the knob and convert the cylinder on a fix knob cylinder.
- Emergency opening by means of portable programming device (PPD).
- Available for distances from 30mm up to 35mm.
- IP protection: model IP55 and model IP66 for outside use.

XS4 GEO Cam Lock cylinder

The XS4 GEO Cam Lock Electronic Cylinder is specially designed to fit most cabinets and cupboards equipped with a cam locking mechanism. The cam itself acts as a locking bolt and is directly operated when the card is presented by the user and turns the plug, the cam is rotated between 180 and 90 degrees, securing the lock.

This patented and revolutionary unique design provides an extra level of protection from intrusions with a high security blocking mechanism that is exclusive to SALTO.

MODEL GxCL1



MAIN FEATURES

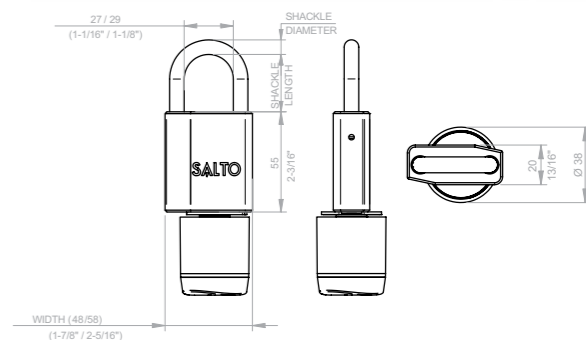
- Fully integrated with the SALTO XS4 platform.
- Virtual network capable through SALTO Virtual Network technology.
- Available in wireless version for wireless real-time control*.
- Choice of ID carriers: i-Button, HID iClass®, LEGIC Advant, Mifare, DESFire, Mifare Ultralight C, DESFire EV1, Skidata and Inside Picopass.
- NFC compatible on contactless versions.
- All communications between the carrier and the XS4 GEO cylinder are encrypted and secure.
- Available in 6 different finishes: satin chrome, polished chrome, polished brass, satin brass, black satin chromiun and BioCote®.
- High security via high resistance, hardened anti-drill protection.
- Concealed fixing screws for greater security and improved aesthetics.
- Optional, torx screw to tighten the knob and convert the cylinder on a fix knob cylinder.
- Emergency opening by means of portable programming device (PPD).
- Body diameter of 19mm.
- Available for lengths from 29 mm (door thickness 1mm to 15mm) and 47mm (door thickness 15mm to 22mm).
- Different cams lengths: 28mm. or 40mm.
- IP protection: model IP55 and model IP66 for outside use.

XS4 GEO Electronic cylinders: Padlocks

XS4 GEO Electronic Padlock

The XS4 GEO Electronic Padlock is a versatile locking solution that enables users to benefit from the advantages of electronic access control where previously it was only possible to use a mechanical locking solution (perimeter or fire access gates, industrial equipment yards and residential storage areas).

MODEL GxP2



MAIN FEATURES

- Fully integrated with the SALTO XS4 platform.
- Padlock made of brass with a Polished Chromium finish (body width 48 mm / body width 58 mm).
- Padlock shackle made of stainless steel.
- Virtual network capable through SALTO Virtual Network technology.
- Available in wireless version for wireless real-time control*.
- Choice of ID carriers: i-Button, HID iClass®, LEGIC Advant, Mifare, DESFire, Mifare Ultralight C, DESFire EV1, Skidata and Inside Picopass.
- NFC compatible on contactless versions.
- All communications between the carrier and the XS4 GEO padlock are encrypted and secure.
- Optical signalling through light ring. Dual colour green/red to indicate access authorisation. Acoustic signal optional.
- Different Shackle Length available: 30 mm, 60 mm or 90 mm.
- Shackle diameter: 8 mm (Only for 48mm body).
- Shackle diameter: 10 mm (Only for 58mm body).
- Available only polished chromefinish.
- Emergency opening by means of portable programming device (PPD).
- IP protection: model IP66.

* Depending on the models.

XS4 GEO Electronic cylinders

XS4 GEO Cylinder Finishes

The XS4 GEO electronic cylinder is available in a choice of six different finishes, with proximity readers available in black or white, to perfectly compliment any taste in décor and design.



CSB / CSW

SATIN CHROME



CPB / CPW

POLISHED CHROME



PPB / PPW

POLISHED BRIGHT BRASS (PVD)



PMB / PMW

SATIN BRASS (PVD)



BCB

BioCote® ANTIMICROBIAL FINISH*



NEB / NEW

BLACK SATIN CHROMIUM



* Only available for XS4 GEO cylinder black reader models

XS4 GEO VdS/BZ+ approval

SALTO XS4 GEO VdS BZ+ models deliver high levels of protection against picking attacks and protection against aggravated burglary. They are approved for use as ancillary control equipment alongside burglar alarm systems (according to VdS 2119). They come with integrated pulling protection and thus may be used together with a burglar resistant security plate class B (or higher).

This certification is valid for SALTO European profile half cylinders, European profile cylinders with thumb turn, European profile double cylinders, and European profile cylinders cog-wheel cam with product numbers GxExx.



XS4 GEO Grip



XS4 GEO cylinder grips have been designed to improve the operation of XS4 GEO Electronic Cylinders. Suitable for use with gloves or by the disabled, the new SALTO XS4 GEO Electronic Cylinder Grips provide an additional surface making the knob easier to operate.

- SALTO XS4 GEO Cylinders Grip A model:
 - (DDA compliant, adapted to suit disabled people.)
- SALTO XS4 GEO Cylinders Grip H and A models are available in:
 - Red,
 - Blue,
 - Yellow,
 - Green,
 - White
 - Black.
- They come with BioCote® antimicrobial technology

1 Grip A (DDA)



2 Grip H





Mortise Locks

www.saltosystems.com

XS4

Mortise Locks

Access control requires a good, reliable door locking system. SALTO offers a wide range of mortise locks in order to ensure that the door is correctly locked.

Whether you need ANSI mortise locks, Euro locks for wooden doors or narrow profiles, DIN locks, Scandinavian standard lock, cylindrical cartridge latches or automatic locks with privacy and panic functions, SALTO has the locking system you need. Our complete range of SS standard mortise locks enable you to install SALTO electronic XS4 escutcheons and SALTO GEO cylinders correctly without compromising security.

MAIN FEATURES AND BENEFITS

- Lock case, latch and deadbolt made of steel.
- Possibility of ANSI, Euro locks, DIN locks (distances 72, 85 and 92mm), SIS Scandinavian standard and cylindrical latches.
- Wide range of back sets and front plate configurations to fit most doors.
- Optional panic function for greater security of the users or guests.
- Equipped with auxiliary latch (anti card system) to prevent unwanted intrusions.
- Highest certifications compliant.*
- With automatic deadbolt or latch through in option.
- Optional with deadbolt detector for electronic privacy function.
- Optional key override function for greater security of the users or guests.
- Equipped with auxiliary latch (anti card system) to prevent unwanted intrusions.*

* Depending on the mortise lock model the certifications can vary



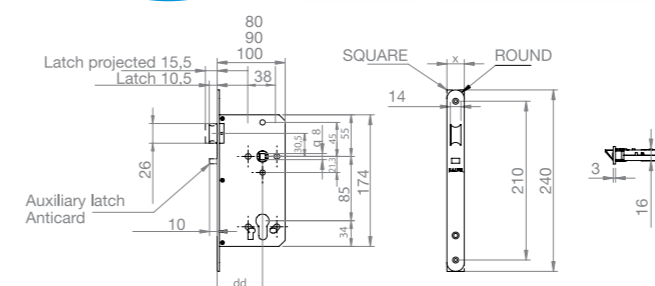
XS4 Mortise Locks

XS4 EURO lock | axe distances 85mm.

The XS4 Euro lock is a mortise lock with latch projection which means the latch is automatically projected and deadlocked when the door is closed. This mortise lock is suitable for all kinds of wooden door whether it's a hotel room, office or warehouse door etc. The new latch projection function increases security by making it impossible to gain access by using plastic cards.

For additional security SALTO also offers the option to order this lock with a deadbolt.

MODEL LE8P



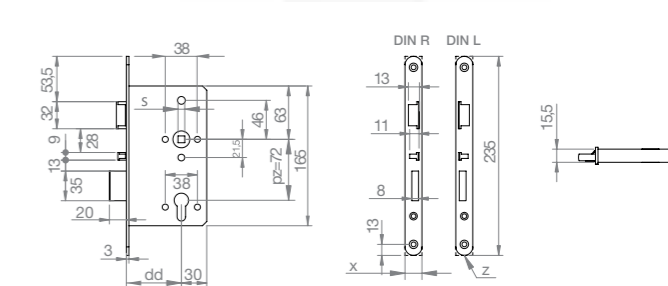
MAIN FEATURES

- Lock case, latch and deadbolt made of steel.
- Axes distances 85mm.
- Euro profile cylinder compatible.
- 8mm square spindle.
- Turning angle 30°.
- Different backsets.
- Choice of finishes: satin stainless steel or gold enamelled.
- Reversible latch and auxiliary latch (anticard).
- With auxiliary latch (anticard) it deadlocks the latch.
- The handle retracts the latch to normal position.
- Panic function option (The handle retracts the latch and the deadbolt).
- Deadbolt detector option for electronic privacy function.
- Mortise lock EN 12209 Grade 3 (high frequency of use or with care, use in public buildings).
- Mortise lock EN179 Grade 3* (Suitable for use in busy, high traffic areas).
- Fire resistant EN1634 compliant EI60.
- Round or squared front plate available.

XS4 DIN EURO lock | axe distances 72mm.

SALTO offers 2 different DIN 18250 mortise locks suitable for all kinds of wooden doors that need to be compatible with DIN standards. The locks are automatic locks that project the deadbolt when the door is closed for greater security. For user safety the mortise locks also have a panic function so they can be opened from the inside in case of emergency.

MODEL LE7W



MAIN FEATURES

- Lock case, latch and deadbolt made of steel.
- Axes distances 72mm.
- DIN 18250 locks.
- Euro profile cylinder compatible.
- 8mm or 9mm square spindle*.
- Turning angle 30° or 45° depending the model.
- Different backsets.
- Satin stainless steel finish.
- Automatic lock, the auxiliary latch (anticard) projects and deadlocks the deadbolt*.
- The handle retracts the latch and the deadbolt to normal position.
- Panic function option (The handle retracts the latch and the deadbolt simultaneously).
- Round or squared front plate available*.
- Highest standards *
- EN1125 compliant*.



XS4 Locker Lock

www.saltosystems.com

XS4

Locker Locks

SALTO XS4 electronic locker locks are designed to provide a high level of security protection and control access to a wide range of lockers, cupboards, display cabinets, boxes, cases and more.

Most OEM lockers are supplied with very basic mechanical locks that offer little in the way of protection. SALTO XS4 electronic locker locks solve this problem by offering the latest in state-of-the-art electronic access control technology in a simple, retro-fit format.

The SALTO XS4 Locker solution features an ergonomically designed twist operated locking handle that makes for easy use, even with wet hands.

The battery pack, electronic components and locking mechanism are all located on the inside of the door, safe from potential vandalism or sabotage. A wide choice of ID technologies within a choice of card, wristband, key fob or bracelet formats can be used with SALTO electronic locker lock. These include, Mifare, Mifare plus, DESfire, DESfire EV1, Ultralight C, Legic Advant, HID iClass® and Skidata and feature a built-in audit trail facility that automatically records the last 1,000 operations.

MAIN FEATURES AND BENEFITS

- Full access control rights programmed via software.
- Virtual network capable.
- Low battery power indication monitored through the SALTO Virtual Network (SVN) as low battery status information is written onto carriers and passed to the software. Also, readings can be taken at the lock and passed to the software via PPD connection.
- User on-card audit trailing capability via the SALTO Virtual Network (SVN).
- Audit of 1000 last events.
- Emergency opening through Portable Programming Device (PPD).
- Power source: 3 alkaline batteries - LR03 - AAA 1,5V – Optional 3 Lithium batteries FR03 - AAA 1,5V (see environmental conditions).
- Outside temperature range: -20°C to +70°C; without condensation.
- Inner temperature range: 0°C to +50°C (operating levels of the batteries) -20° / 70° with Lithium batteries; without condensation.

LOCKER OPERATION MODES:

- Fixed locker assignment where a specific ID carrier operates a specific lock.
- Free locker assignment where any ID carrier subsequently used to unlock a locker takes control.
- Family option – Allows for multiple ID carriers to operate a single locker.

* Depending on the model.

MIFARE DESFire
Ultralight C

LEGIC
Innovation in ID technology
advant



SKIDATA



XS4 Locker Locks

XS4 LOCKER for lockers and cabinets

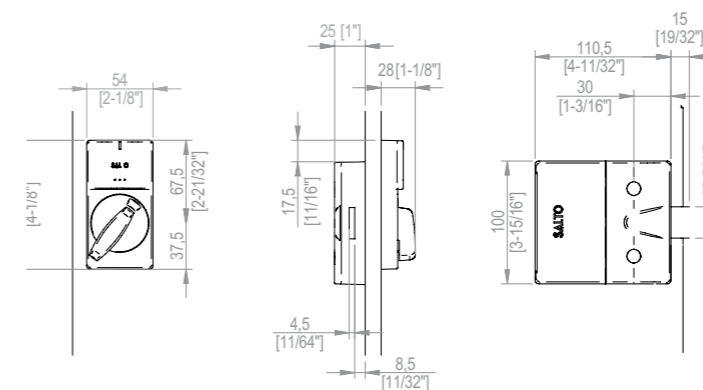
The XS4 Locker Lock is an electronic locker lock solution designed to provide a high level of security protection for a wide variety of cabinets and lockers. It can be fully integrated with the SALTO access control solution or be operated as a stand-alone system.

XS4 LOCKER Lx050



XS4 LOCKER Lx050 Outside

XS4 LOCKER Lx050 Inside



MAIN FEATURES

- ID technologies available: contactless RFID identification, DESfire, DESfire EV1, Mifare, Mifare plus and Mifare Ultralight C, HID iClass®, LEGIC Advant and Skidata compatible.
- Outer thumbturn with red green indicator for availability of the locker, electronically managed release.
- Lock with large security deadbolt is built into the locker.
- Ideal for retrofit applications as outside escutcheon rotates for different door handing and styles. No handing.
- Battery pack: sabotage protected on the inside together with decision making electronics. Can only be opened by using special tool.
- Simple offline installation is possible on many types of small and thin doors.
- Comes with BioCote® antimicrobial technology
- Door thickness: adaptable on site.
- Cover colour: RAL 7016 Anthracite.



XS4 Wall Readers Control Units Monitored Power Supply Units

XS4

Wall Readers



SALTO offers a wide range of wall readers that in combination with SALTO Door Controllers enable the expansion of SALTO access control benefits to all those doors where a stand alone electronic lock cannot be fitted i.e. barriers, elevators, mechanical doors etc, or where control must be boosted by online real-time access control.

The wall readers read encrypted data contained on the carrier and communicate it to the door controller. They also allow for updating of the carrier via SALTO Virtual Network (SVN) technology making it possible to cancel lost or stolen cards remotely. Suitable for outdoor installation, the SALTO wall reader range also includes narrow profile wall readers that can be installed in the frame of a door.

MAIN FEATURES AND BENEFITS

- ID technologies available: i-Button, DESfire, DESfire EV1, Mifare, Mifare plus, Mifare Ultralight C, Inside Picopass, Legic Advant, HID iClass®, SKIDATA and i-Button.
- Offline or Online depending on the door controller connected.
- Virtual Network capability through SALTO Virtual Network technology.
- User on card audit trailing capability for audit trailing via the SALTO Virtual Network (SVN).
- Contactless versions compatible with ISO 14.443A, ISO 14.443B and ISO 15.693 (Vicinity) and covering a wide range of mainstream RFID brands such as DESfire, DESfire EV1, Mifare, Mifare plus, LEGIC Advant, HID iClass® and Inside Picopass allowing multiplication with third party systems using one card.
- SALTO 9000 contactless range is compatible with NFC (Near Field Communication) technology which allows NFC enabled cell phones to act as contactless data carriers to open and control SALTO access controlled doors.
- All communication between the carrier and the wall reader are encrypted and secured.
- Can be flush or surface mounted depending on the base (available separately)*.
- Available in a narrow profile version for special doors.
- Red and green coloured LED to indicate lock authorisation.
- Blue coloured LED to indicate carrier updating.
- For external use and protection against vandalism, it can be used with the WRMFWAV frame and flush mounting base*.
- Can be combined with Personal Identification Number (PIN) code pad for card authentication*.
- Compatible with standard electrical back boxes for easy fitting*.
- Can be used for integration with other systems through the addition of the Wall Reader Adaptor or Control Unit Adaptor.

* For Modular Wall Reader range only.



MIFARE DESFire
Ultralight C

 picopass®

 LEGIC
Innovation in ID technology
advant

 iCLASS
by
HID

SKIDATA®

 NFC
Near Field Communication

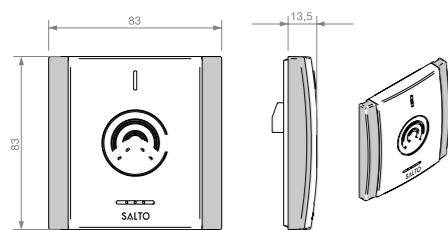
XS4 Wall Readers

XS4 RFID Modular Wall Reader

SALTO offers a broad range of 13,56Mhz RFID Contactless Smart Card wall readers. They read encrypted data from the carriers and then communicate it to the door controllers. They also allow for updating of the carriers via SALTO Virtual Network technology. All models are IP 56 compliant making them suitable for use indoors and out, including environments exposed to harsh weather conditions.

Compatible with ISO 14.443A, ISO 14.443B and ISO 15.693 (Vicinity) and covering a wide range of mainstream RFID brands such as Mifare, Mifare plus, DESfire, DESfire, Ultralight C, EV1 Legic, Legic Advant, HID iCLASS and Picopass.

MODEL **WRMx001**



MAIN FEATURES

- ID technologies available: DESfire, DESfire EV1, Mifare, Mifare plus, Mifare Ultralight C, Inside Picopass, LEGIC Prime, LEGIC Advant, HID iClass®, Skidata and i-Button.
- Contactless reading of the carrier.
- Reading distance up to 50mm depending on the RFID technology.
- NFC compatible (WRM9000 range).
- IP 56 compliant (depending on the model).
- The maximum cable length between the door controller and the wall reader is up to 100mtrs.* with a twisted pair cable.
- Dimensions: 83mm x 83mm x 13.5mm (W x H x D).
- Connection to the door controller using UTP CAT 5 cable.
- Current required: 5V supplied by the door controller.
- For surface mounting with the WRMBH.
- For flush mounting with WRMBL.model.

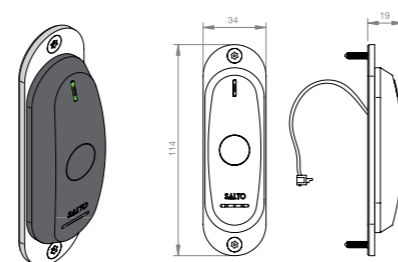
* Depends on the door controller combination.

XS4 RFID Wall Reader for narrow profile applications

The SALTO contactless slim wall reader for flush mounting has been specially designed to fit doors that have a narrow profile frame and where there is insufficient space to install a standard wall reader.

The wall reader reads data from the carrier and then communicates it to the control unit. They also allow for updating of the carriers via SALTO Virtual Network technology. The reader is IP56 compliant and features a built-in heater making it suitable for use indoors and out, including environments exposed to harsh weather conditions.

MODEL **WRx001FS**



MAIN FEATURES

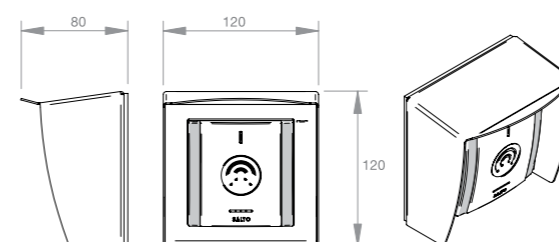
- ID technologies available: DESfire, DESfire EV1, Mifare, Mifare plus, Mifare Ultralight C, Inside Picopass, Legic Prime, Legic Advant, HID iClass®, Skidata and i-Button.
- Reader made of PC + ABS UL94.
- Body made of 2mm stainless steel plate.
- NFC compatible (WR9001FS).
- IP 56 compliant.
- The maximum cable length between the door controller and the wall reader is up to 100mtrs.* with a twisted pair cable.
- Dimensions: 34mm x 114mm x 19mm (W x H x D).
- Connection to the door controller using UTP CAT 5 cable.
- Current required: 5V supplied by the door controller.

XS4 Wall Reader Accessories

XS4 RFID Modular Wall Reader for special wall mounting

The Contactless SALTO modular wall reader with external case is specially designed for outdoor installation on uneven surfaces. The wall reader reads data from the carrier and then communicates it to the door controller. It also allows for updating of the carriers via SALTO Virtual Network technology. The reader is IP 56 compliant and features a built-in stainless steel external case making it suitable for use indoors and out, including environments exposed to harsh weather conditions.

MODEL **WRMx001E**



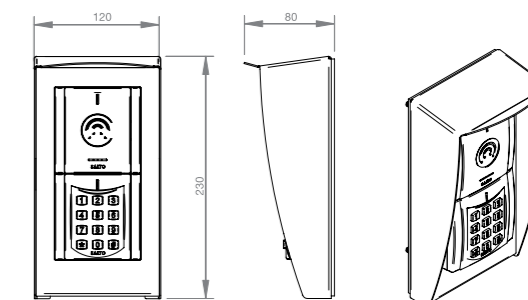
MAIN FEATURES

- ID technologies available: DESfire, DESfire EV1, Mifare, Mifare plus, Mifare Ultralight C, Inside Picopass, Legic Prime, Legic Advant, HID iClass®, Skidata and i-Button.
- Contactless reading of the carriers.
- Reading distance up to 50mm depending on the RFID technology.
- NFC compatible (WRM9000 range).
- External case made of stainless steel.
- Dimensions: 120mm x 120mm x 80mm (W x H x D).
- IP 56 compliant (depending on the model).
- Connection to the door controller using UTP CAT5 cable.
- The maximum cable length between the door controller and the wall reader is up to 100mtrs*, with a twisted pair cable.
- Current required: 5V supplied by the door controller.

XS4 RFID Modular Wall Reader for special wall mounting with key pad

The Contactless SALTO modular wall reader with key pad is a wall reader that includes a PIN Key Pad specially designed for outdoor installation on uneven surfaces. The key pad provides increased security as dual identification is needed to access the door. The wall reader reads data from the carrier and then communicates it to the door controller. It also allows for updating of the carriers via SALTO Virtual Network technology. The reader is IP 56 compliant and features a built-in stainless steel external case making it suitable for use indoors and out, including environments exposed to harsh weather conditions.

MODEL **WRMx001EK**



MAIN FEATURES

- ID technologies available: DESfire, DESfire EV1, Mifare, Mifare plus, Mifare Ultralight C, Inside Picopass, Legic Prime, Legic Advant, HID iClass®, Skidata and i-Button.
- Contactless reading of the carrier.
- Reading distance up to 50mm depending on the RFID technology.
- NFC compatible (WRM9000 range).
- External case made of stainless steel.
- Dimensions: 120mm x 230mm x 80mm (W x H x D).
- IP 56 compliant (depending on the model).
- Connection to the door controller using UTP CAT5 cable.
- The maximum cable length between the door controller and the wall reader is up to 100mtrs*, with a twisted pair cable.
- Current required: 5V supplied by the door controller.

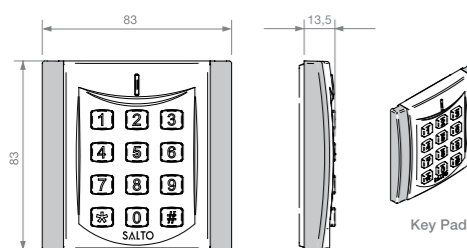
XS4 Wall Reader Accessories

XS4 WRM Key pad

Compatible with SALTO modular wall readers*, the WRMKP key pad allows for the additional use of a Personal Identification Number (PIN) key pad option. It should be mounted on one of the SALTO WRM double mount bases.

* Check for compatibility.

MODELS **WRMx001** AND **WRMKP**

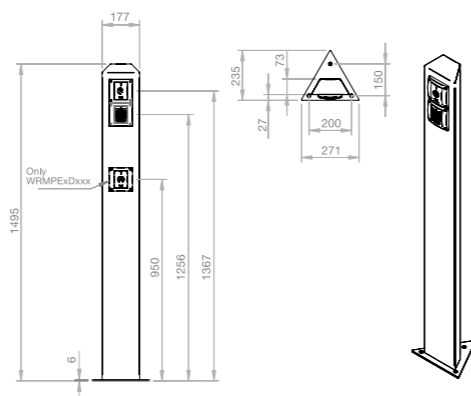


XS4 WRM Pedestal

Smart, innovative and designed with aesthetics in mind, the SALTO Modular Wall Reader Pedestal is a new product developed to allow for the installation of readers and controllers in places where they cannot normally be fitted, such as on door frames or walls. Suitable for indoor use, the Modular Wall Reader Pedestal can be fitted with any model of SALTO wall reader and 5000 door controller series.

Made of AISI316L bright polished stainless steel and DDA compliant, the Modular Wall Reader Pedestal is suitable for use in a wide range of environments including Hospitals, Airports, Universities, Schools, etc.

MODEL **WRMPExSK**



MAIN FEATURES

- PIN code authentication needed with ID carrier to gain access and obtain card update.
- Door code only option for non key holders.
- PIN needed for SVN key update.
- Timed PIN option for ID carriers only operation and then ID carrier plus PIN use.
- Body made of die cast Zinc Alloy with satin chrome finishing.
- Keys made of AISI 316L stainless steel.
- Size: 83mm x 83mm x 13,5mm (W x H x D).
- Current required 5V supplied by the Modular Wall Reader.
- For surface mounting with WRMBH2.
- For flush mounting with WRML2.
- Connection to the wall reader with a built in cable.

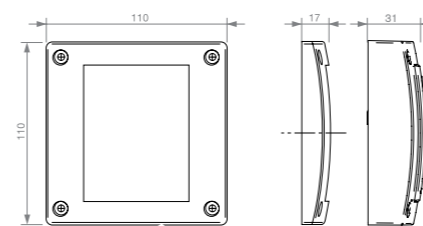
MAIN FEATURES

- Made of stainless steel AISI 316L bright polished.
- Dimensions 271mm x 1495mm x 235mm (W x H x D).
- DDA compliant optional.
- Personal Identification Number (PIN) keypad option.
- Special base cut out for easier installation.
- Compatible with CU5000, CU50EN and CU50ENSVN.

XS4 WRMFWAV antivandalic frame for SALTO modular wall readers

This accessory has been designed to protect the WRM wall reader from adverse and harsh environments.

MODEL **WRM x001** & **WRMFWAV**



MAIN FEATURES

- Made of die cast Zinc Alloy with Satin Chrome finishing.
- Fastened with Torx 10 Anti Tamper screws.
- To be fitted with WRMBL2 or WRMBL1 depending on the model (included with the WRMFWAV or WRMFHAV).

XS4 WRM Mounting bases for modular wall readers

SALTO offers several base options to fit modular wall readers. Depending on your needs you can choose a single or double base to fit a wall reader and a key pad.

Both bases include an internal gasket to prevent water ingress and have several fixing points to allow for adjustment during installation.

SINGLE AND DOUBLE BASES FOR SURFACE MOUNTING



WRMBH1



WRMBH2

SINGLE AND DOUBLE BASES FOR FLUSH MOUNTING



WRMBL1



WRMBL2

XS4

Control Units / Door Controllers



SALTO offers a wide range of door controllers that enable the expansion of SALTO access control benefits to all those doors where a stand alone electronic escutcheon can not be fitted. This includes electric strikes, magnets, barriers, lifts, shutters, automatic door openers, speed gates, etc, or where control must be boosted by online real time access control.

The door controllers read encrypted data contained on the carrier and allow for updating of the carrier via SALTO Virtual Network technology making it possible to cancel lost or stolen cards remotely.

Whether you need a simple offline or online door controller with SALTO Virtual Network capabilities, and with one relay output or several, SALTO has what you need.

MAIN FEATURES AND BENEFITS

- Offline or online door controllers depending on the model.
- Managed by software.
- Virtual Network capable through SALTO Virtual Network technology.
- User on card audit trailing capability for audit trailing via the SALTO Virtual Network (SVN).
- All communications between the wall reader and the door controller and between the door controller and the PC are secured and encrypted for a higher security level.
- No additional control panels are required.
- Alarm input
- Set up made with Portable Programming Devices (PPD) or directly from the PC*.
- Update made with Portable Programming Device (PPD) or SVN.
- Anti Pass Back mode available depending on the model.
- Firmware upgradable by means of PPD or directly from the PC on the online units.
- User on card audit trailing via SALTO Virtual Network in the case of offline units.

TECHNICAL DATA

- **Current required:**
 - 12V / 500mA 6VA adaptor included.
- **Connection to the wall reader:**
 - UTP CAT 5 standard cable
- **Relay output:**
 - Maximum current of the contact to relay 16A at 250VAC with resistive loads and 8 A at 250VAC with inductive loads and 16A at 24VDC
- **Cabling to the relay:**
 - Any kind of cable that supports the load
- **Temperature:**
 - -20°C to 80°C

Access control features:

- Maximum number of users per door: 4 million
- Maximum number of doors in a system: 64000
- Maximum events on the door controller: 1000 (CU2010 and CU5010) 3000 (CU5000, CU50EN and CU50ENSVN)
- Time zones: 256
- Time periods: 256
- Calendars in system: 256
- Zones in system: 1024
- User groups: unlimited

Available lock modes:

- Standard (locked at all times).
- Office mode (free passage).
- Timed office (automatic locking at end time).
- Automatic opening (8 pairs of "hands free" timed lock and unlocks per day with holidays).
- Automatic opening + office**
- Toggle (present card to lock, present card to unlock).
- Timed toggle (present card to lock, present card to unlock depending on schedules).
- Toggle + automatic opening.
- Keypad only**
- Timed keypad**
- Key + PIN**
- Timed keypad + PIN**
- Automatic changes**

* For IP door controllers only.

** Depending on the model.

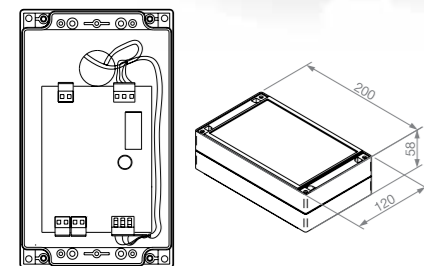
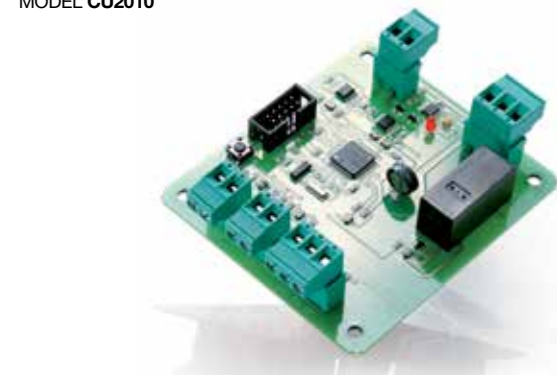
XS4 Door Controllers

CU2010

Designed for use with the SALTO WRM1000 wall reader, the offline CU2010 is a relay output door controller that can be connected to the WRM1000 wall reader.

It offers a single wall reader connection and a single output control relay.

MODEL CU2010



MAIN FEATURES

- Offline door controller.
- One wall reader connection.
- One relay output.
- Only for use with the WRM1000 wall reader.
- User on card audit trailing capability for audit trailing via the SALTO Virtual Network (SVN).
- Request to exit (RTE) switch input.
- Door state input.

CERTIFICATES

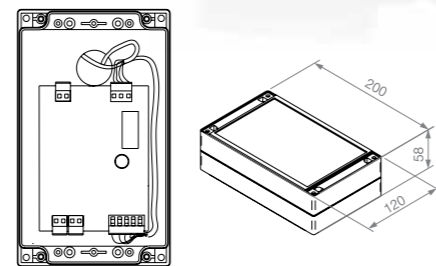
- CE: 89/336/EEC (Electromagnetic Compatibility).
- CE EN 55022 (1994), Class B.
- CE EN 50082 (1997).

CU5010

Designed for use with the SALTO WRM8001 wall reader, the offline CU5010 is a relay output door controller that can be connected to one wall reader.

It offers a single wall reader connection and a single output control relay.

MODEL CU5010



MAIN FEATURES

- Offline door controller.
- One wall reader connection.
- One relay output.
- Only for use with the WRM8001 wall reader.
- User on card audit trailing capability for audit trailing via the SALTO Virtual Network (SVN).
- Request to exit (RTE) switch input.
- Door state input.

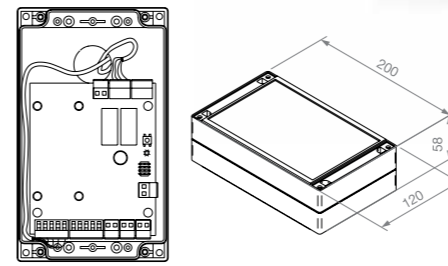
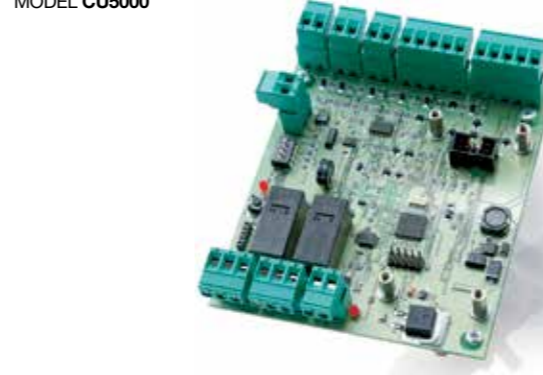
CERTIFICATES

- CE: 89/336/EEC (Electromagnetic Compatibility).
- CE EN 55022 (1994), Class B.
- CE EN 50082 (1997).

CU5000

The SALTO CU5000 is a single door offline door controller that can have one or two wall readers connected and has two control relay outputs.

MODEL CU5000



MAIN FEATURES

- Offline door controller.
- Two wall reader connections, read in – read out locking, and has Anti Pass Back mode available by connecting two wall readers.
- Two relay output.
- Upgradable to CU50EN or CU50ENSVN.
- Compatible with SALTO relay extension board (EB5008) controlling up to 128 relay outputs suitable for elevators, etc.
- To be used with all SALTO wall readers (excepted WRM1000).
- Can be used with the SALTO WRMKP for dual identification (Carrier + PIN).
- User on card audit trailing capability for audit trailing via the SALTO Virtual Network (SVN).
- Request to exit (RTE) switch input.
- Door monitoring and tamper monitoring via contacts input.
- Door state input.

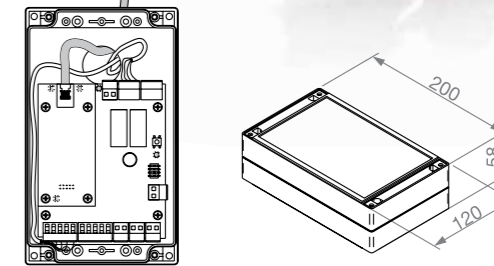
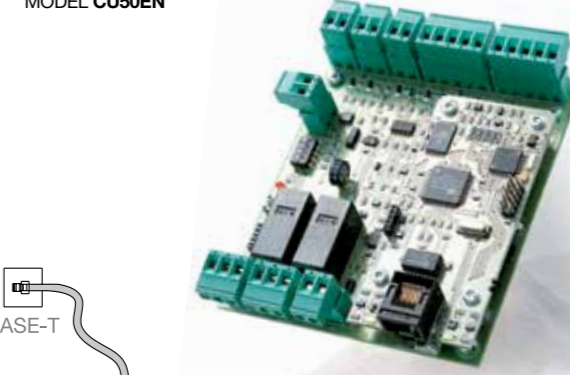
CERTIFICATES

- CE EN55022 (1994), Class B.
- CE EN 61000-6-1 (2001).
- CE EN 61000-6-2 (2001).
- CE EN 61000-4-2 (1995).
- CE EN 61000-4-3 (1995).
- CE EN 55024 (1998).

CU50EN

The SALTO CU50EN is an online IP door controller that can have one or two wall readers connected and has two control relay outputs. Access control changes can be carried out on the SALTO software and are then actioned at the door controller in real time. It provides full on-line features via the networked Ethernet / WIFI link such as door monitoring status, remotely controlling door opening and Roll Call.

MODEL CU50EN



MAIN FEATURES

- Online IP door controller.
- Two wall reader connections, read in – read out locking, and has Anti pass back mode available by connecting two wall readers.
- Two relay output.
- Upgradable to CU50ENSVN.
- Compatible with SALTO relay extension board (EB5008) controlling up to 128 relay outputs suitable for elevators etc.
- To be used with all SALTO wall readers (excepted WRM1000).
- Can be used with the SALTO WRMKP for dual identification (Carrier + PIN).
- Request to exit (RTE) switch input.
- Door monitoring and tamper monitoring via contacts input.
- Door state input.

ONLINE FEATURES

- Real-time access control changes:
 - Live monitoring of user entry and exit through the door controller.
 - Live audit trail build up on the software.
 - Door monitoring status for forced door and door left open alarm.
 - Remote door opening from software.
 - Door lock out or lock open emergency setting from software.
 - The IP door controller can be included in roll call set up used, for example(,) for user location monitoring, parking control etc.
- Works as on-line hub up to 40 on-line Energy Saving Devices.
- Connected to standard Ethernet / WIFI network.
- Works off-line if the network connection is lost.
- All the communications between the IP door controller and the PC are secured and encrypted. In addition the CU is protected by a 3DES encrypted challenge / response for a higher security level.
- Invalidates deleted cards.

CERTIFICATES

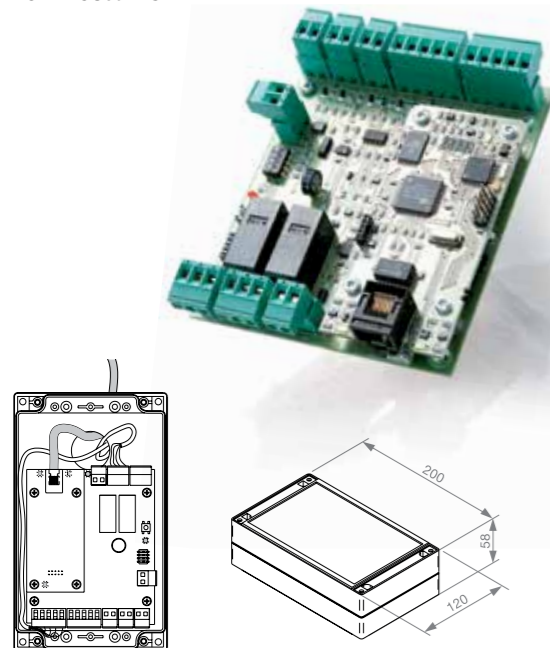
- CE EN55022 (1994), Class B.
- CE EN 61000-6-1 (2001).
- CE EN 61000-6-2 (2001).
- CE EN 61000-4-2 (1995).
- CE EN 61000-4-3 (1995).
- CE EN 55024 (1998).

XS4 Door Controllers

CU50ENSVN

The SALTO XS4 CU50ENSVN is an online door controller that can have one or two wall readers connected, has two control relay outputs and has SALTO Virtual Network (SVN) capabilities. Cards are automatically updated with the latest changes in the access plan. It records the user audit into the PC and provides advanced information on battery status.

MODEL CU50ENSVN



It also continually updates the cancelled ID carrier blacklist simply by using the cards on the network, distributing the latest access information throughout the building via the offline stand alone locks. Access control changes can be carried out on the SALTO software and these are then actioned at the control units in real time. It provides full online features via the networked live link such as door monitoring status, remotely controlling door opening and Roll Call.

MAIN FEATURES

- Online IP door controller.
- Two wall reader connections, read in – read out locking, and has Anti Pass Back mode available by connecting two wall readers.
- Two relay output.
- Compatible with SALTO relay extension board (EB5008) controlling up to 128 relay outputs suitable for elevators, etc.
- To be used with all SALTO wall readers (excepted WRM1000).
- Can be used with the SALTO WRMKP for dual identification (Carrier + PIN).
- User on card audit trailing capability for audit trailing via the SALTO Virtual Network (SVN).
- Request to exit (RTE) switch input.
- Door monitoring and tamper monitoring via contacts input.
- Door state input.

SALTO VIRTUAL NETWORK CAPABILITIES

- Add or delete access privileges at will to the ID carriers.
- The ability to validate the expiration date of key cards on any SVN on-line wall reader.
- Add security through additional authenticated validation procedures including pin codes as well the ability to blacklist cards from the system.
- On card audit-trailing to track staff or visitor movement.
- Lock specific battery power data is registered on any card using the lock – staff or visitor – and transferred back to the PC control software via any update reader just by using the system.
- Expiration date can be extended if network connection is lost.

MAIN FEATURES

- **Real-time access control changes:**
 - Live monitoring of user entry and exit through the door controller.
 - Live audit trail build up on the software.
 - Door monitoring status for forced door and door left open alarms.
 - Remote door opening from software.
 - Door lock out, or lock open emergency setting from software.
- The IP door controller can be included in roll call set up used, for example for user location monitoring, parking control etc.
- Works as online hub up to 40 online Energy Saving Devices.
- Connected to standard Ethernet /WIFI network.
- All the communications between the control unit and the PC are secured and encrypted. In addition the IP door controller is protected by a 3DES encrypted challenge / response for a higher security level.

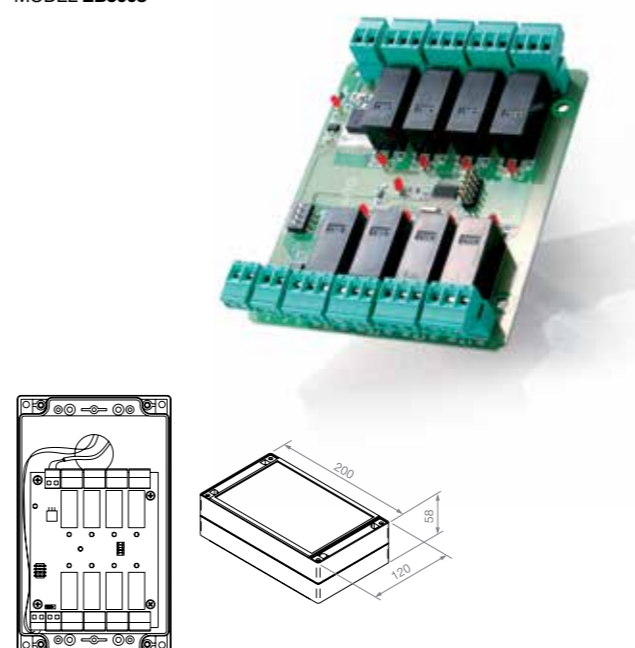
CERTIFICATES

- CE EN55022 (1994), Class B.
- CE EN 61000-6-1 (2001).
- CE EN 61000-6-2 (2001).
- CE EN 61000-4-2 (1995).
- CE EN 61000-4-3 (1995).
- CE EN 55024 (1998).

EB5008 SALTO multi relay output control board

The EB5008 is a device which, when connected to CU5000, CU50EN or CU50ENSVN door controllers, provides the option to manage multi relay switchable output systems such as elevator floor level access, multi shutter and barrier systems, machine switching and more.

MODEL EB5008



MAIN FEATURES

- Up to 16 EB5008's can be connected in series to 1 door controller, allowing you to manage up to 128 outputs.
- Each output has user access (triggering) rights controlled from the software.
- Compatible with all the SALTO WRM and CU5000, CU50EN or CU50ENSVN door controllers.
- Current requires 12V/500mA 6VA adaptor included.
- Number of relay each board 8 (Max. of 16 EB5008 board in series, totalling 128 relay outputs).

CERTIFICATES

- CE: 89/336/EEC (Electromagnetic Compatibility).
- CE EN 55022 (1994), class B.
- CE EN 50082 (1997).

WRADAPT SALTO wall reader adaptor

With the SALTO Wall Reader Adaptor, it's possible to integrate with third party devices such as time and attendance, POS etc. The Wall Reader Adaptor is designed to read data from the RW carriers and send this to an external device. It is connected on one side to any SALTO Wall Reader, and on the other side to the external device. The interface with the external device can be RS232, OMRON and WIEGAND.

MAIN FEATURES

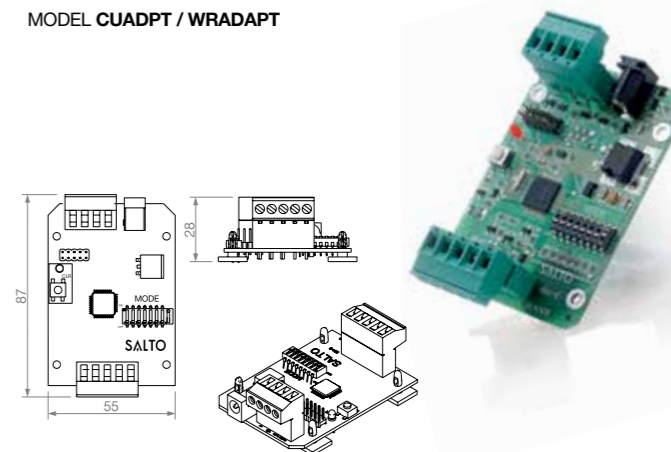
- Configuration by dip switches to control data to be read and the interface with the external device.
- Voltage required: From 7 to 15V from the external device. Can also be optionally powered through the jack connector.
- Connection to the reader: UTP CAT5 cable.
- Connection to the external device: 4 pin block terminal.
- Data read by the WRADAPT: ROM CODE, TRACKS ON KEY, WIEGAND CODE.

CUADAPT SALTO control unit adaptor

With the SALTO Control Unit Adaptor, it's possible to integrate with third party devices such as time and attendance systems. The Control Unit Adaptor is designed to allow users to update their cards at the reading point they use on a daily basis, for instance a Time and Attendance terminal. The SALTO wall reader and door controller will update and revalidate the card (see CU50ENSVN for all features) and then send the relevant ID data to the 3rd party device such as a T&A controller. This means you can now access a door with all the convenience of SALTO and control your staff attendance at the same time.

The CU Adaptor is connected on one side to any SALTO door controller, and on the other side to the external device. The interface with the external device can be RS232, OMRON and WIEGAND.

MODEL CUADPT / WRADAPT



MAIN FEATURES

- Configuration by dip switches to control data to be read and the interface with the external device.
- Current required: 12V from control unit.
- Connection to the CU: UTP CAT5 cable.
- Connection to the external device: 4 pin block terminal.
- Data read by the CUADAPT: ROM CODE, TRACKS ON KEY, WIEGAND CODE.

XS4 Monitored Power Supply Units

Door controllers are sensitive equipment and must be protected from external events such as power spikes or failures.

That's why SALTO has developed a range of Monitored Linear Power Supply units designed to power and protect SALTO door controllers. They enable connection of the door controller to other equipment used in the security, fire, CCTV and access control industries.

The Monitored Linear Power Supply units are equipped with a range of useful features that help you to control and protect the control unit and any external devices. The Monitored Linear Power Supply units comply with the European standard EN.50131, Part 6, Grade 2, Environmental Class 2.

MAIN FEATURES AND BENEFITS

- Equipped with a fuse board with five outputs with visual lead indicator to connect up to four, independently protected, external devices (electric strikes, magnets...)
- Tamper microswitch monitored through the door controller gives warning when the power supply box is opened.
- Door locked by cam lock.
- Connection for battery backup (not included) that permits continued operation if mains AC power goes down.
- Supports rechargeable sealed acid batteries up to 12 Volts 7 Amp / hour.

FUNCTIONS

- Battery deep discharge cut off at 10.2 volts to avoid an excessive discharge that could damage the battery.
- High voltage cut off at 15 volts (over voltage protection circuit) to avoid battery overloads and risk of fire.
- On board variable pot for precise voltage setting.
- Current limited battery charge circuit (300mA).
- Relay drops out on loss of AC mains input providing a physical warning for other applications.

Led indicators for:

- DC output voltage OK.
- Output voltage fault.
- Battery fault.
- AC input OK.

CERTIFICATES

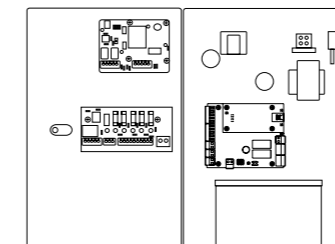
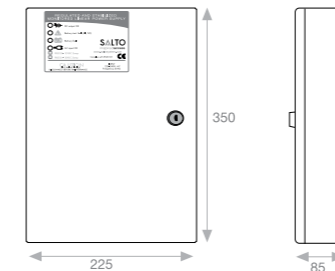
- CE EN 50081-1 (1992).
- CE EN 50082-1 (1992).
- CE EN 60950.
- CE EN 61000-6-2.
- CE EN 61000-6-3.
- CE EN 50131, part 6, Grade 2, Environmental Class2.



PBx12S

The SALTO Monitored Linear Power Supply units PB112S and PB212S are Monitored Linear Power Supplies designed to work with one SALTO door controller.

MODEL PB212S



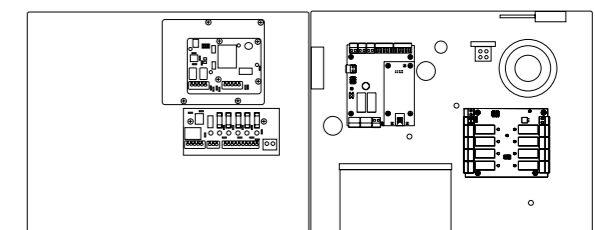
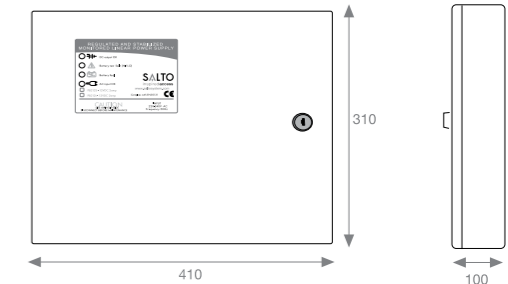
MAIN FEATURES

- Compatible with CU5000 and CU50ENSVN.
- Dimensions: 225mm x 350mm x 85mm (W x H x D)
- Input voltage: 115VAC 60Hz or 220 – 240VAC 50Hz depending on the model.
- Output voltage: Off load 13,8VDC max – On load 13.58VDC
- Output current: 2 Amp, including 300mA for battery backup.
- Input protection: 2 Amp ceramic fused safety, fuse block with Earth/ Ground connection.
- Output protection: 1Amp fuse block per output.
- Free floating relay 8 Amp switching capacity to take an input for fire alarm control panel and other external devices.

PB212L

The SALTO Monitored Linear Power Supply unit PB212L is a Monitored Linear Power Supply designed to work with one SALTO door controller and relay extension board EB5008.

MODEL PB212L



MAIN FEATURES

- Compatible with CU5000 and CU50ENSVN.
- Dimensions: 410mm x 310mm x 100mm (W x H x D)
- Input voltage: 220 – 240VAC 50Hz
- Output voltage: Off load 13,8VDC max – On load 13.58VDC
- Output current: 2 Amp, Including 300mA for battery backup.
- Input protection: 2 Amp ceramic fused safety, fuse block with Earth/ Ground connection.
- Output protection: 1Amp fuse block per output.
- Free floating relay 8 Amp switching capacity to take an input for fire alarm control panel and other external devices.



XS4 ESD

Energy Saving Devices

XS4

ESD

Energy Saving Devices



The SALTO in room energy saving device (ESD) helps to save up to 65%* of a hotel room or student dorms electricity consumption and unlike standard (magnetic stripe) energy savers, only authorized SALTO key cards will switch on the lights. Any other card (frequent flyer, business card etc) or other SALTO cards belonging to other rooms, will not activate the lights.

It is also available in a connected online version, which as well as energy saving indicates in real-time the presence of guests or staff in a room, logging the information directly into the hotel PC. When a guest enters the room and inserts their card into the ESD it switches on all electrical equipment. When staff enter the room for cleaning or maintenance, the ESD recognises their staff card and switches on only the electrical equipment they need to do their work.

* Estimation based on SALTO surveys on energy management.

MAIN FEATURES AND BENEFITS

- Two different finishes for different room styles.
- Available with two relay outputs.
- Window detector input. If window is left open, the system will switch off the air conditioning.
- Flexible exit time delay by software.
- Modern Blue LED indicator which indicates the location of the device in the dark, and blinks as a courtesy indicator after retrieving the card when leaving the room.
- Available in i-Button and RFID (Mifare, DESfire, Mifare Ultralight).
- Online version available in RFID models.

TECHNICAL DATA

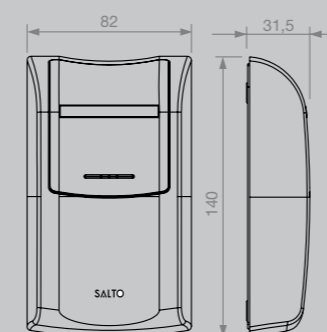
- Input voltage: 85-265 Volts AC.
- Consumption: 200 mw in rest mode, 1,8watts when activated.
- Relay power cut: 10A.
- Max. section for power and relays contacts connector: Stranded wire section: 12 AWG (2,5mm²). Strip length: 4-5mm.
- Max. section for windows detector connector: Stranded wire section: 16 AWG (0,5mm²). Strip length: 4-5mm.

CONNECTED VERSION

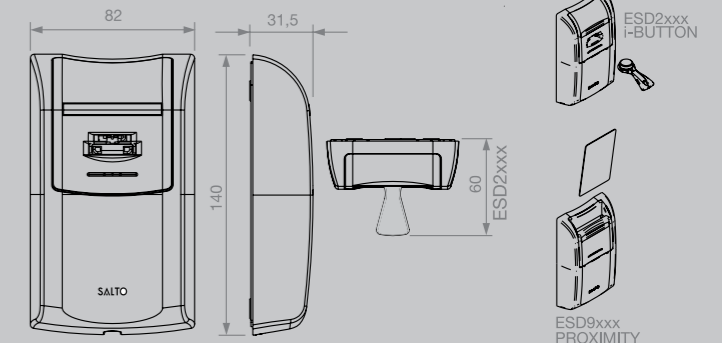
- Real-time ESD monitorisation through the software.
- Real-time ESD audit trailing. The list of users that have activated the ESD is automatically downloaded into the PC.
- Connected by bus RS485. Last ESD of the series must be connected to a SALTO ON LINE control Unit (CU50EN or CU50ENSVN).
- Max. Number of ESD connected per IP door controller: 40.

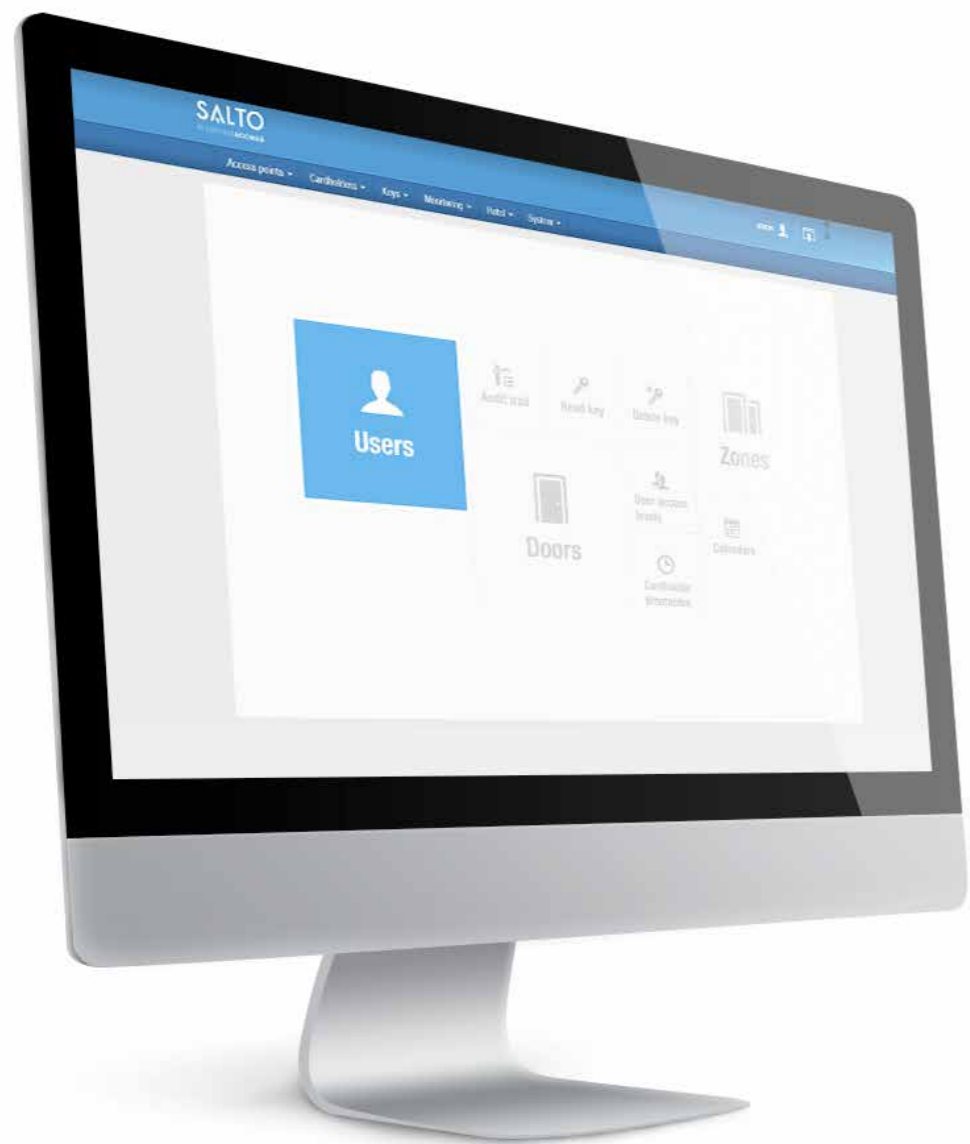


ESD PROXIMITY



ESD I-BUTTON





SALTO Software Management Tools

www.saltosystems.com

XS4

Software SALTO ProAccess SPACE

SALTO ProAccess SPACE Software has been developed to create a powerful Access Control Management tool. Its features allow you to make the most of your building access control.

It manages large numbers of doors and since most access related information is written directly on to the key cards, management of the doors is simply a case of managing the cards. Just by updating the cards you can quickly change most access related authorisations of the users including adding/deleting doors, time zones, calendars etc.

SALTO ProAccess SPACE can do all this and more. And thanks to its advanced software features, SALTO ProAccess is also one of the most user friendly and powerful software products for the access control management of stand alone devices, and IP online devices in one converged platform.



User Friendly

Structured around users and doors, SALTO ProAccess SPACE has a user friendly interface that lets you quickly set up your access plan in the shortest possible time. Both users and doors have their own comprehensive screen configuration to simplify navigation, where you can select from a range of options to set up user or door access rights exactly how you want them. To make things even easier, the same screen also displays if any action is needed. This includes doors that need updating, batteries that need replacing, user cards that require updating, and so on. All this information is displayed in one window, with all your options available to you at the click of a mouse.



Real-time access control with online capabilities – even remotely

SALTO ProAccess SPACE software allows you to monitor door alarms in real-time via online IP door controllers. It uses TCP-IP communication protocols, allowing you to continue using your existing IP network, and can handle large numbers of online IP door controllers on the same system. It is also highly versatile, enabling you to change door access configuration rights with the single click of a mouse. Multi-station functionality is taken care of too. Multiple workstations can be configured to manage the system if required, increasing flexibility, and by using a Wide Area Network (WAN) you can remotely manage different buildings in multiple locations or cities worldwide. SALTO offers you the best in real-time access control.



Display what's happening around your building and take control

SALTO ProAccess SPACE includes a range of different functions that help you to understand what's happening inside your building. It provides live monitoring of online control units, online wireless escutcheons, roll call functions of user locations, and a dynamic audit trail facility. All this is combined with Virtual Network Technology to automatically provide you with all the information you need from the offline devices to track and control who has access to any door, and when, anywhere in the building. In addition, the audit trail can also be filtered to remove unwanted information and it can generate customised reports that can then be exported to TXT or excel files for later analysis.



Interface your application with SALTO database synchronisation

If you already use a large users database software you can keep on using it. With SALTO database synchronisation, you can synchronize them, saving time and resources.



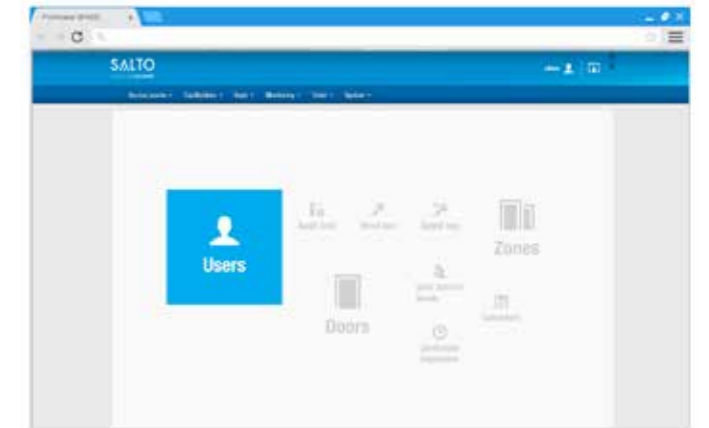
Easy to use, intuitive Web-based software interface

ProAccess SPACE's web-based design makes it easy to ensure that all operator terminals are updated the latest version of SPACE without having to do a physical install at each terminal.



SVN data-on-card SALTO Virtual network capabilities

All SALTO ProAccess SPACE software includes SVN technology, a module that upgrades this access control software to another security level. With SALTO ProAccess SPACE and SALTO Virtual Network technology, you can add or delete access privileges at will to ID carriers, program in 256 different time zones and much more. You can carry out updating tasks changing access times/days using up to 256 different calendars; you can also validate any change made in the access plan on any SVN online wall reader. Adding security is possible through additional authenticated validation procedures including pin codes as well the ability to blacklist cards from the system. The on-card audit-trailing is beneficial to track staff or visitor movement and receive lock specific battery power data as it's registered on any card using the lock – staff or visitor – and transferred back to the PC. It all adds up to many unique advantages that make your maintenance tasks easier, and it is something only SALTO can offer you.





Real-time access control through wireless devices

SALTO ProAccess SPACE software enables users to manage and control an entire property simply and easily, as it operates in real-time with SALTO electronic wireless escutcheons. Its comprehensive range of functions enable you to obtain the best from your access control system. With just a few clicks, the user friendly interface lets you modify the set-up of individual escutcheons and control door status in real-time. This includes who can access which doors and when, anywhere in the building. It is possible to control the status of individual wireless locks to minimise maintenance issues. With SALTO ProAccess SPACE software, you can manage both online wireless electronic locks and off-line stand alone devices. When used with SALTO Virtual Network technology (SVN) it is possible to achieve outstanding levels of security as lost or stolen key cards can be immediately eliminated from the system through both wireless escutcheons and by updating the offline electronic devices. All this information is displayed in one window, with all your options available to you at the click of a mouse.



SALTO Pro Access SPACE partitional

SALTO ProAccess SPACE software allows you to monitor door alarms in real time via online IP door controllers. It uses TCP-IP communication protocols, allowing you to continue using your existing IP network, and can handle large numbers of online IP door controllers on the same system. It is also highly versatile, enabling you to change door access configuration rights with the single click of a mouse. Multi-station functionality is taken care of as well. SALTO can offer you the ability to configure multiple workstations to manage the system if required, increasing flexibility. By using a Wide Area Network (WAN) you can remotely manage different buildings in multiple locations or cities worldwide.



Flexibility

SALTO ProAccess SPACE is structured around users and doors and has a user friendly interface to help you correctly set up your access control plan in the shortest time possible. The system offers a huge number of options including DST time configuration, 256 different time zones, 256 time periods and 256 different calendars. Users can be given access levels and/or individual door access, enabling you to customize the software to your exact requirements. Pro Access also enables users to customize the operator profile that manages the software, structuring tasks and functions for individual operators to carry out. In addition to this, a useful feature is its new automatic key issuing function. This enables you to edit the cards of large user groups remotely, removing the need to individually validate each user's card in person.



Security

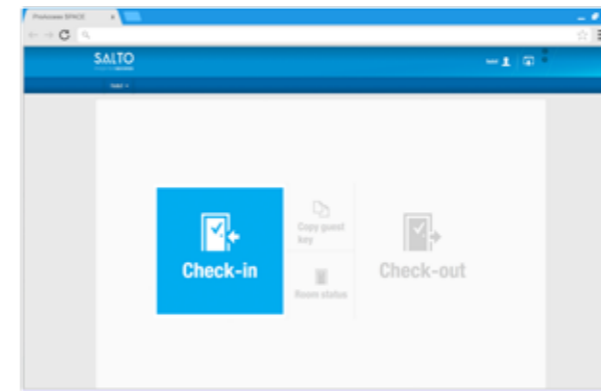
SALTO ProAccess SPACE is highly secure software. Operators are required to log on via an encrypted password. This log defines their authorisation level, and communication between the PC and the online devices (IP door controllers and gateways) is also encrypted for additional security protection. On SQL software versions, users have the option to use Windows™ authentication or SQL authentication to run the database. The database can also be placed in a remote server if required and this server can then be additionally secured by further IT protection. Finally, SALTO has also developed an advanced algorithm to prevent user card cloning. This is in addition to the standard protection provided by the DESfire credential (i.e. 3DES in case of DESfire). The SALTO ProAccess SPACE software automatically uses this algorithm to confirm the authentication of every card, checking that the card is authentic and that it has been legitimately issued to the individual user.



Smartphone-based access control

JustIN by SALTO

With SALTO's JustIN technology smartphones can be integrated conveniently and beneficially into access control solutions. One option is JustIN Mobile BLE allows doors to be opened with a smartphone. In addition we offer JustIN mSVN that converts a NFC-enabled smartphone into a mobile point for updating credentials.



Matrix Access Function

No more master key problems. Sometimes the combination of users to doors and their different functions can cause keying problems when setting out the access plan. The Matrix Access Function is a clever tool that simplifies and streamlines the link between users and doors making access planning simple and straightforward.



Automatic key assignment

Eliminate logistical problems with the management and distribution of key cards.

Automatic key assignment is a tool that enables you to encode key cards directly via a wall reader at the main point of access. This can be done the first time a user presents their card, saving time, hassle and the need to queue for card validation.



Anti-pass back

The anti-pass back feature is designed to prevent misuse of the access control system.

The anti-pass back feature establishes a specific sequence in which access cards must be used in order for the system to grant access. With this feature and our SVN technology, your access control system will always be up to date and secure.



Multiworkstation

Running the same system on different workstations is not a problem. Management of the access plan should be flexible, that's why SALTO ProAccess SPACE is a multi work station software. You can share the data base from the server and connect to it from different workstations to provide a complete multi user solution.

Hotel Access Management Software

SALTO ProAccess SPACE

SALTO ProAccess SPACE has developed Hotel Module (Hotel Access Management Software) to enable hotels to easily control all their access and guest management needs with one easy-to-use system. SALTO ProAccess SPACE is suitable for use in any type of hotel, from those that need to control just a small number of rooms, up to the very largest resort based properties that need to control thousands. It offers a huge range of features and tools that makes it easy to control all the offline and online guest room and back of house doors in a property from one central location. It is compatible with most property management software such as Micros Fidelio, New Hotel, Protel, TBC etc and can also be used to manage SALTO Intelligent Energy Saving Devices (ESD's).

All SALTO ProAccess SPACE software includes a module that upgrades this access control software to another security level. With this software and SALTO Virtual Network technology, you can add or delete access privileges at will to the ID carriers, program in 256 different time zones, etc. You will be able to carry out updating tasks, changing access times/days by using up to 256 different calendars. You will also have the ability to validate any change made in the access plan on any SVN online wall reader. Add security through additional authenticated validation procedures including pin codes as well the ability to blacklist cards from the system. You will benefit from the on-card audit-trailing to track staff or visitor movement and receive the lock specific battery power data as it's registered on any card using the lock – staff or visitor – and transferred back to the PC. These unique advantages make your maintenance tasks easier, and it is something only SALTO can offer you.

TECHNICAL FEATURES

- Up to 4 million users.
- Up to 64,000 doors & lockers.
- Password protected operator's profiles.
- 256 Calendars.
- 1,024 Time periods.
- 256 Time zones.
- Connection to online units through TCP-IP protocols using existing LAN & WAN networks and secured through an encrypted protocol.
- Web-based interface means no need to install the software on all client PCs. Also, an update of the server PC means that all client PCs are also updated.
- Can be managed or operated from different workstations simultaneously without risk of database corruption.
- Easy installation process that includes a powerful SQL engine. Database protected by SQL authentication or windows-based authentication.
- Multi-language and configurable interface makes it easy to adjust the interface to the specific needs and security level of each operator, including operator password protection for a higher security.
- Operators audit trail registers changes done by operators.
- Interface alerts to be aware of potential conflicts on the setup of the access plan or changes.
- Easy to upgrade to additional features to keep in-line with an installation's requirements.
- SALTO ProAccess SPACE software can also be used on windows-based tablets.

TECHNICAL REQUIREMENTS

- Operating System: Windows Vista, XP, 98, Millenium, 2000, Windows Server 2003 or Windows Server 2008
- Ram memory: 64MB (min.), 128MB, (recommended).
- Available Hard Disc space: 50 MB (Aprox. Depending on the data base).
- MDAC version 2.1 or higher.
- Processor: Pentium II.
- USB port.
- MS-SQL Server Express, MS-SQL Server 2005 or MS-SQL Server 2008 (for SALTO SQL data base version).

XS4

Access control management tools

To perform routine tasks such as editing new user keys, set up the access control plan, run diagnostics on offline devices, or perform emergency openings in extreme situations and more, SALTO has developed a useful range of tools to make such tasks easier and faster.



Access Control Management Tools

SALTO Contactless PPD

The SALTO contactless Portable Programmer Device (PPD) is the messenger between the computer and the lock. The SALTO PPD has a multilingual interface.

PPD



MAIN FEATURES

- Initialise doors.
- Collect audit trail.
- Update locks (door profile & internal clock).
- Door diagnostic.
- Emergency opening.
- Firmware update

TECHNICAL DATA

- Power supplied: 3 alkaline batteries - LR03 - AAA 1,5V.
- Connection to lock: cable included.
- PC connection: USB, RS232.

CERTIFICATES

- CE EN55022 (1994), Class B
- CE EN 61000-6-1 (2001)
- CE EN 61000-6-2 (2001)
- CE EN 61000-4-2 (1995)
- CE EN 61000-4-3 (1995)
- CE EN 55024 (1998)

SALTO Encoder

The SALTO encoder is a compact device which reads, encodes and updates cards.

It is available in different versions depending on the PC connection (USB, RS232 or Ethernet). It also permits automatic key issuing in large and complex properties, enabling users to carry out key assignment. This is by simply having the encoder in a busy area where the user can get their card assigned by presenting a card to the reader, without any assistance required from the access control manager.

ECx0



TECHNICAL DATA

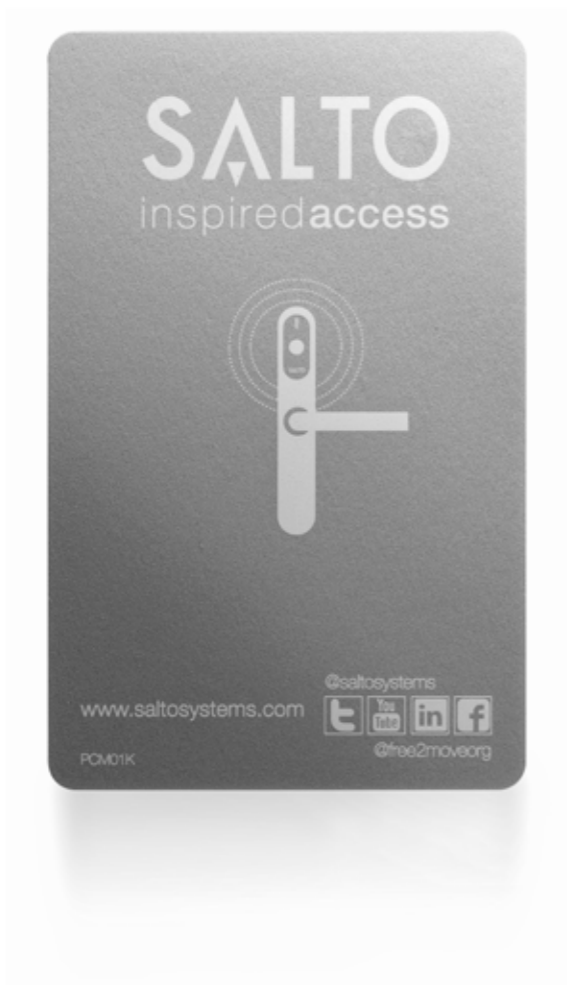
- ID technologies available: i-Button, DESfire, DESfire EV1, Mifare, Mifare plus, Ultralight C, Inside Picopass, Legic, HID iCLASS, SKIDATA.
- Current required: 12 v/ 500mA (adaptor included).
- Connection to the PC: USB or Ethernet/Wifi (RS232).
- USB encoders do not usually require an external adaptor.

SALTO Desktop Reader

Created for the Hotel environment, the SALTO desktop reader is designed to read data from the R&W carriers and send it to an external device, usually a Point of Sale terminal. This can be useful in a PMS environment and works with industry standard protocol.

TECHNICAL DATA

- Configuration by dip switches to control data to be read and the interface with the external device.
- The interface with the external device can be RS232, OMRON and WIEGAND.
- Current required: 12v DC source (included).
- Connection to the external device: 9 pin D-type female connector (to be connected to serial port).
- Data read by the desktop reader: ROM CODE, TRACKS ON KEY, WIEGAND CODE.



Carriers Cards

www.saltosystems.com

XS4 Carriers

SALTO carriers are available in a wide range of versions to suit user's individual needs. Whatever carrier you choose, all work effortlessly and include Contactless Proximity and i-Button technologies. All carriers are easy-to-use, and are SALTO Virtual Network (SVN) compatible.

KEY BENEFITS INCLUDE

- Cards meet ISO Standards.
- Battery free carriers.
- Customable.
- Waterproof.
- Easy-to-use for people with disabilities.
- Ability to use the SALTO Virtual Net (SVN).
- Secure, copyproof data carrier for high security.
- Strong, ergonomic design for long life.
- High resistance to variations in weather conditions.
- Comfortable to use - can be carried on a key ring alongside "traditional keys" (in case of fobs).
- Multi-application capabilities*.



i-Buttons



i-Buttons



i-Button bracelets

RFID technology



Contactless cards



Contactless bracelets



Contactless key fobs



Contactless key fobs bracelets

i-Buttons

SALTO has combined a unique, ergonomic design with the latest in semi-conductor technology to create an attractive and robust electronic key that can operate and support one of the most versatile access control systems. SALTO offers 2 types of carrier based on i-Button technology, the i-Button itself and i-Button bracelets.

1 i-Button

- Simple and intuitive use due to the smart design of the i-Button and the electronic lock reader.
- Extremely resistant system suitable for all kinds of environments.
- 512bytes or 2Kbytes i-Button fobs available.
- 5 different colours, black, blue, green, red and yellow.
- Reusable keys.
- SALTO Virtual Network (SVN) compatible.
- i-Buttons can be customised by numeration.
- i-Buttons are water proof.
- SALTO i-Button keys models are available in:
 - Red,
 - Grey,
 - Yellow,
 - Black,
 - Green.



2 i-Button bracelets

- Simple and intuitive use due to the smart design of the i-Button and the electronic lock reader.
- Extremely resistant system suitable for all kinds of environments.
- 512bytes or 2Kbytes i-Button bracelets available.
- 5 different colours, black, blue, green, red and yellow.
- Reusable keys.
- SALTO Virtual Network (SVN) compatible.
- i-Buttons can be customised by numeration.
- i-Buttons are water proof.
- SALTO i-Button bracelets models are available in:
 - Red,
 - Blue,
 - Yellow,
 - Green.



RFID technology

RFID technology offers no end of interesting features as it is one of the most versatile ID technologies available on the market. Secure, user friendly, customizable, reusable and durable, the RFID carriers are suitable for any kind of use. RFID makes multi-application with other systems possible by using the same card. With simple and intuitive use and ID Carriers available in many different formats, this system is ideal for special needs applications.

1 Contactless cards

- RFID technologies available: DESfire, DESfire EV1, Mifare, Mifare plus, Mifare Ultralight C, Legic Advant, Picopass, HID iCLASS®.
- 13.56MHz contactless RFID identification.
- High security by using encrypted proximity cards*.
- SALTO Virtual Network (SVN) compatible.
- Different memory capacities from 112bytes up to 4Kbytes*.
- Key shape available: ISO 7810 Cards.
- Reusable key cards.
- Multi application with other systems using the same card through shared sectors*.
- Customised card issuing through the SALTO Authorization Media software (SAM)*.
- Waterproof cards which can be customised with other options such as Mag stripe, signature panels numeration are also available.
- Available in self programmable sets.

2 Contactless key fobs

- RFID technologies available: DESfire, Mifare.
- 13.56MHz contactless RFID identification.
- High security, by using password and encrypted Proximity fobs*.
- SALTO Virtual Network (SVN) compatible.
- Different memory capacities from 256bytes up to 4Kbytes*.
- Reusable key fob.
- Multi application with other systems using the same card through shared sectors*.
- Customised fob issuing through the SALTO Authorization Media software (SAM)*.
- SALTO contactless key fobs models are available in:
 - Red,
 - Blue,
 - Yellow,
 - Black,
 - Green.



3 Contactless bracelets

- RFID technologies available: Mifare.
- 13.56MHz contactless RFID identification.
- High security, by using encrypted Proximity watches*.
- SALTO Virtual Network (SVN) compatible.
- Different memory capacities from 256bytes up to 1Kbytes*.
- Reusable key bracelets.
- Multiapplication with other systems using the same card through shared sectors*.
- Customised watch issuing through the SALTO Authorization Media software (SAM)*.
- SALTO contactless fobs bracelets models are available in:
 - Red,
 - Blue,
 - Yellow,
 - Black,
 - Pink,
 - Green.



* Depending on the technology.

SALTO
inspired**access**

INNOVATION
KEEPS YOU
**ONE JUMP
AHEAD**



COMPANY PROFILE

SERVICE

A COMPLETE LOCAL NETWORK READY TO SUPPORT OUR CUSTOMERS

At SALTO we are very focused on listening to the market and to our customers, wherever they may be, to ensure that we understand how to best offer value-added solutions.

It is this level of service and support that differentiates SALTO from the competition, and it is also why SALTO products can be found in over 90 countries around the world.

SALTO OUR COMMITMENT TO BEST SERVICE

To ensure we deliver the very best possible service, SALTO needs to be where our customers are. This is why SALTO has its own offices in Australia, Belgium, Canada, China, Colombia, Czech Republic, Denmark, France, Finland, Germany, Italy, Mexico, The Netherlands, Norway, Poland, Portugal, Singapore, Slovak Republic, Spain, South Africa, Switzerland, UAE, UK, USA. Our office network will continue to grow to make certain that SALTO provides unrivalled levels of warranty support and service.

SALTO PARTNER'S NETWORK

As well as our SALTO offices, we also have a specialized partner network in over 90 countries. These offices count on expertise from specialists in the security industry who share the same values of enthusiasm and commitment as SALTO, and who are ready to provide customers with the very best support and service.

SALTO's official partners are all security specialists.



CORPORATE

We are driven by innovation. Guided by our insights into customer needs, we deliver industry-leading, next-generation electronic locking solutions without wires and without mechanical keys. Since 2001, SALTO has been redefining the access control world by continually being first to anticipate market needs in a rapidly evolving marketplace. We set new standards in security, manageability and scalability.

SALTO's pioneering SVN (SALTO Virtual Network) data-on-card platform provides stand-alone networked locking solutions. With its online and real-time technology, our market-leading XS4 platform enhances the usability of every building environment by securing virtually every door and enabling the monitoring and control of every user.

SALTO hardware and software can be networked without wires to provide real-time intelligence and instant control, whilst enabling integration with existing systems to improve manageability and enhance end-user experience.

Having revolutionised access control around the world in sectors where security is critical – from airports and healthcare to government education and hotels – we continue to deliver the most advanced and flexible electronic locking solutions in the market.

THE ACCESS CONTROL PARTNER YOU CAN RELY ON

At SALTO we have all key activities in-house, from product conception and design, right up through the final manufacturing and shipping processes. This continuity allows SALTO to warranty our products to the highest quality standards, thereby giving our customers the flexibility, delivery and peace of mind they require.

At SALTO, we believe this type of direct control best enables us to continue to develop, launch and support the most effective access control solutions available.

SALTO is ISO 9001:2008 and ISO 14001 certified, demonstrating that rigorous quality and environmental management systems are in place to ensure the design, development and manufacture of our electronic access control products always strive to achieve the highest possible standards in quality, as required by our customers.





WORLD WIDE

Our head office located in Oiartzun, Spain, was designed to create a modern working environment where SALTO staff continue to research and develop innovative new products and technologies that incorporate our team's passion and enthusiasm. This location enables us to bring together our Research, Development & Innovation (RD&I), central commercial and marketing departments, as well as our manufacturing and assembly processes.

Our goal is always to give our customers the very best designed and manufactured products.

Our high-capacity manufacturing facility is fully-equipped with the latest technology including special assembly cells, electronic production management systems, and computer assisted automatic warehousing. Substantial on-going investment in a dedicated RD&I team enables SALTO to stay at the leading edge of modern mechanical, electronic and software design

OVER 90 COUNTRIES:
Providing access to experts wherever the project

OVER 15,000 PROJECTS:
Delivering innovative solutions through successful partnerships

OVER 2,000,000 LOCKS:
Securing doors the world over

AN ESTIMATED 15,000,000 PEOPLE
use SALTO products every day



SALTO Systems HQ, Spain
Oiartzun, Spain
Tel.: +34 943 344 550
email: info@saltosystems.com
www.saltosystems.com

SALTO Systems, UK
Southam, United Kingdom
Tel.: +44 01926 811979
email: info.uk@saltosystems.com
www.saltosystems.co.uk

SALTO Systems, USA
Norcross GA, USA
Tel.: +1 770 452 6091
email: info@salto.us
www.salto.us

SALTO Systems, Asia
Singapore
Tel: +65 6557 22 55
email: info.asia@saltosystems.com
www.saltosystems.com

SALTO Systems, Australia
Waterloo - Sydney, Australia
Tel.: +61 1 3007 39959
email: info.sydney@saltosystems.com
www.saltosystems.com.au

SALTO Systems, Australia
Melbourne, Australia
Tel.: +61 1 3007 39959
email: info.melbourne@saltosystems.com
www.saltosystems.com.au

SALTO Systems, Canada
Vaudreil-Dorion QC, Canada
Tel.: +1 514 616 2586
email: info.co@saltosystems.ca
www.saltosystems.ca

SALTO Systems, Colombia
Bogota, Colombia
Tel.: +57 1 810 7013
email: info.co@saltosystems.com
www.salto.us

SALTO Systems , Germany
Wuppertal, Deutschland
Tel.: +49 (0)202/ 769 579-0
email: info.de@saltosystems.com
www.saltosystems.de

SALTO Systems, Mexico
Cancun, México
Tel.: +52 (998) 892 8752
email: info.mexico@salto.us
www.salto.us

SALTO Systems, Middle East
Dubai, United Arab Emirates
Tel.: +971 48 811 050
email: info.me@saltosystems.com
www.saltosystems.com

SALTO Systems, Netherlands
Amsterdam, The Netherlands
Tel: +31 206 353 100
email: info.nl@saltosystems.com
www.saltosystems.nl

SALTO Systems, Belgium
Belgium
Tel: +31 206 353 100
email: info.be@saltosystems.com
www.saltosystems.be

SALTO Systems, Denmark
Kalundborg, Denmark
Tel.: +45 48 44 88 11
email: info.dk@saltosystems.com
www.saltosystems.dk

SALTO Systems, Norway
Jessheim, Norway
Tel.: +47 46 747 884
email: info.no@saltosystems.com
www.saltosystems.no

SALTO Systems, Portugal
Porto, Portugal
Tel.: +351 220 937 508
email: info.portugal@saltosystems.com
www.saltosystems.com

EVVASALTO ACCESS AB
Huddinge, Sweden
Tel.: +46 (0)8-555 982 00
email: sverige@evvasalto.se
www.evvasalto.se

SALTO Systems, France
Nanterre, France
Tel: +33 (0)1 55 17 13 70
email: info.fr@saltosystems.com
www.saltosystems.fr

SALTO Systems, Italy
Bologna, Italy
Tel: +39 342 55 67 739
email: info.it@saltosystems.com
www.saltosystems.it

SALTO Systems, Switzerland
Eschlikon, Switzerland
Tel: +41 71 973 72 72
email: info.ch@saltosystems.com
www.saltosystems.ch

SALTO Systems, South Africa
South Africa
Tel: +27 (83) 293 07 96
email: info.za@saltosystems.com
www.saltosystems.com

SALTO Systems, Poland
Warszawa, Polska
Tel: +48 609 01 7777
email: info.pl@saltosystems.com
www.saltosystems.pl

SALTO Systems, Slovakia
Bratislava, Slovakia
Tel: +48 609 01 7777
email: info.sk@saltosystems.com
www.saltosystems.com

SALTO Systems, Czech Republic
Prague, Czech Republic
Tel: +48 609 01 7777
email: info.cz@saltosystems.com
www.saltosystems.com

Copyright © 2014 SALTO Systems
CSP-ENG-SAL-10-15

SALTO Systems reserves the rights to modify technical specifications, designs, and performance without notice.
The paper used is FSC certified





The access control company you can rely on:
www.saltosystems.com

