

A E L E M E N T

by SALTO

A technological gem



The RFID Hotel Lock with Wireless DNA



AELEMENT

by SALTO

The RFID Hotel Lock with Wireless DNA

AELEMENT is the new face of RFID hotel security technology.

Easy to use and easy to install, it's a stunning piece of design that's packed with SALTO's new WiDNA technology.

Developed specifically for the hotel market, it provides a fully integrated real time security solution that allows you to combine your entire guest hospitality needs into one stylish, energy efficient and reliable wire-free locking system.

Inspired by the four elements that make it possible for life to evolve, grow and flourish we've taken fire – design, air – liberty, earth – strength and water – adaptability, and combined them to create this stunning new hotel lock.



fire - design



air - freedom

- The smallest reader on the market.
- Exquisite minimalist design, that's smart and discreet thanks to its double injection construction.
- Desirable, exclusive and stylish.
- Intelligent and powerful, with the latest technology that's easy and intuitive to operate.
- Huge range of finishes and handles thanks to design partnership with Olivari.
- The RFID Technology, adaptable to any system.
- MIFARE, MIFARE plus, DESfire, DESfire EV1 MIFARE Ultralight C, ...
- NFC technology compatible.
- Wireless on-line system, the highest security capability and real time control with no need to hard wire.
- Wireless ready, so it's upgradable to a fully wireless on-line system when you need it.



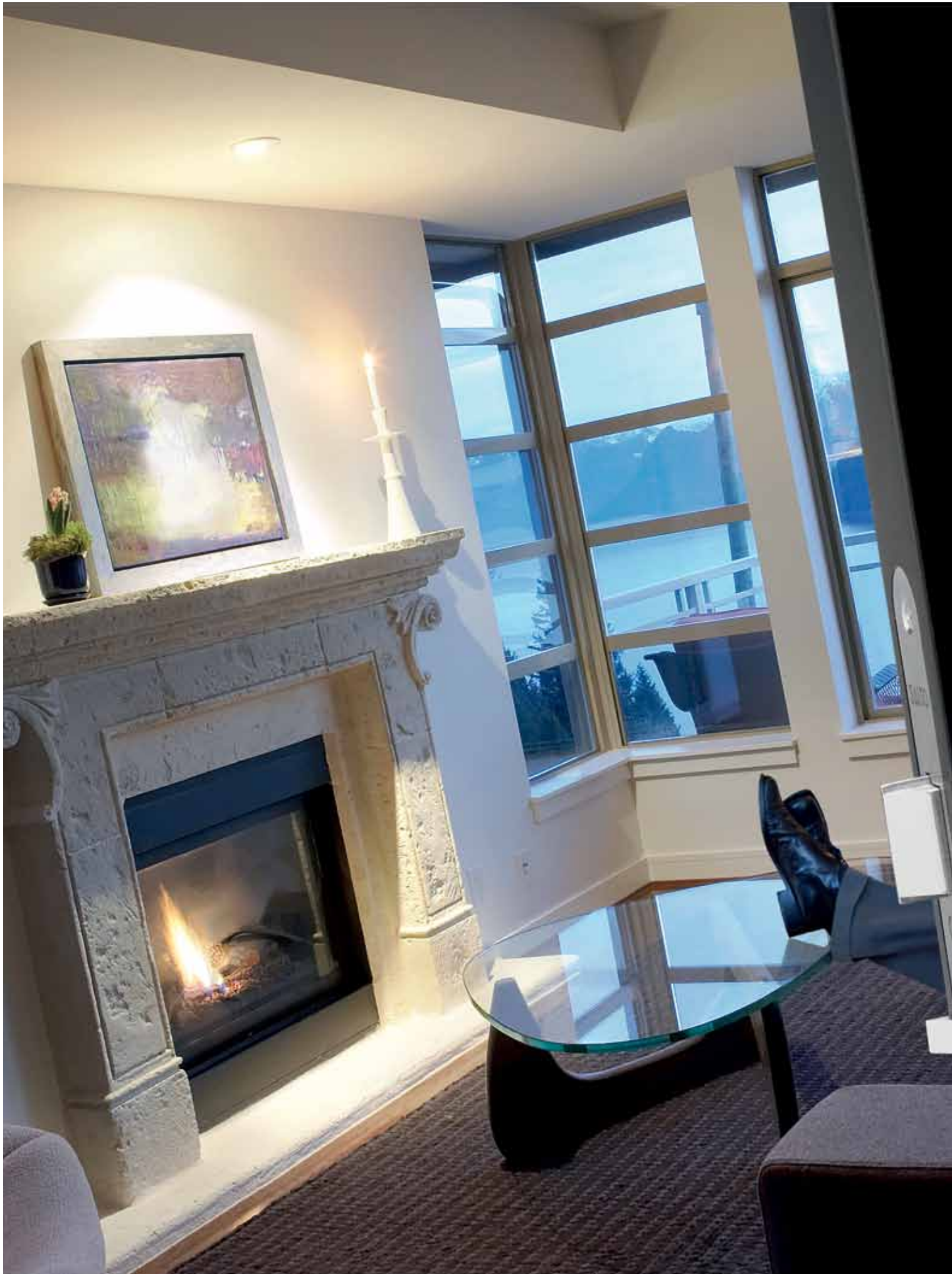
earth - strength

- All the experience of SALTO's proven access control solutions, specially designed for hotels.
- SECURE system, ENCRYPTED technology.
- Intuitive software that manages the SQL based platform.
- ROBUST and SAFE design.
- Cards are not demagnetized, excellent battery durability and the system warns you when the batteries are low on power.



water - adaptability

- Adaptable to any environment thanks to a huge range of handles, finishes and readers.
- Easy installation means no unnecessary holes are needed in the door.
- AElement is fully integrated within the SALTO platform, making it suitable for use with any kind of door including: elevators, parking lots, emergency exits, glass doors, changing room lockers and electronic cylinder operated doors as well as with in-room energy saving devices that reduce unnecessary consumption of power and more.



design

The natural result of SALTO's strength, passion, styling and innovation, AElement is a product with a special fire that reflects its own personality and unique characteristics.





7|air means freedom

freedom

Like a breath of fresh air, AElement's wireless technology allows you the scope, flexibility and freedom you desire now, tomorrow and always.



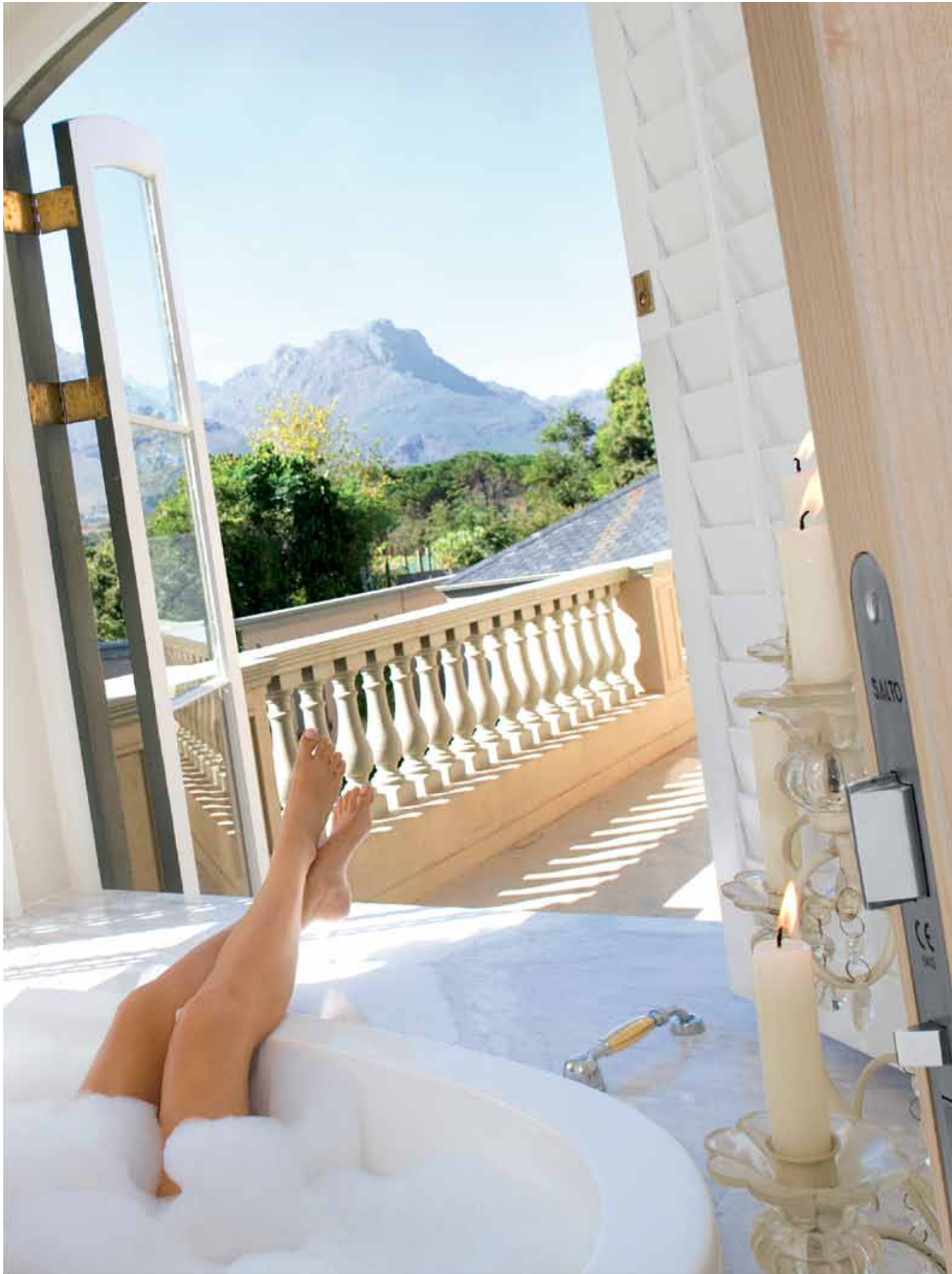


9 | earth means strength

strength

Solid as a rock and as reliable as Mother Nature AElement inspires confidence. Developed from proven solutions, it's the electronic lock that's been specifically developed to meet your most demanding needs. The perfect combination of durability, styling and cutting edge technology, AElement is an unrivalled long term investment.







adaptability

Fluid like a river and wide like the sea, the range of AElement's capabilities make it an excellent solution for a seamless integration with any environment. Elegant, durable, unique and desirable, AElement is a technological gem.

The RFID Hotel Lock with Wireless DNA

AElement allows hotels to integrate all their physical security needs into one state-of-the-art system. It can control the security of the entire building from a single location including granting access privileges to individual rooms and gathering audit trail data from every door in real time – all without leaving the front desk.

Advanced security and convenient access control are its core values enabling simple management of guest cards and doors as well as staff cards and back of house doors in a single system. And thanks to SALTO's new wireless DNA technology, the day of the off-line hotel lock is over. With AElement all locks are designed to be wireless ready right out of the box, you decide whether the function is activated or not.

Wireless and wireless ready (Wireless DNA)

Simply choose the mode of operation you want 'Wireless on-line' or 'Wireless ready'. If you choose 'Wireless on-line' your locks are on-line and communicate in real time with the server. This gives you real time control over the entire building. If you chose 'Wireless ready', your locks communicate with the server daily on differed-time communication mode. Wireless ready locks can be "switched" to real time "Wireless on-line mode" at any time. Just plug in the USB-sized RF communication antenna and you are ready to go.



How it works

The backbone of the system is a series of gateways and repeaters that act as antennas, collecting and sending information from the computer server directly to the wireless locks. One gateway can manage several electronic locks, minimizing infrastructure costs and maximizing flexibility.

It operates on a 2.4GHz wireless network over an 802.15.4 protocol and works with all popular mainstream RFID technologies including Mifare and Desfire, the latest versions of Mifare Plus, Desfire EV1 and Mifare Ultralight C, as well as standard hotel issue guest cards.

Features and benefits

AElement features a wide range of advanced and innovative hotel management benefits that will increase the security of your building, the productivity of the hotel and your staff, and enhance the guest experience.

Guest Services

- IRM Instant Room Move
- IES Instant Extended Stay

Guest Comfort

- Cards do not demagnetize
- Batteries will not fail unexpectedly

Staff Management

- On-line staff tracking
- Real time monitoring
- Instant master card cancellation
- Dynamic master keys

Front Desk

- Auto check out
- Privacy mode monitoring (see if the guest is in the room and plan VIP actions)

Room Management

- Real-time audit trail
- Automated "low battery report"
- Real time audit of inside openings
- Passage mode activates for meeting rooms
- Remote and real-time problem reporting (plumbing problems, lightening problems, room ready etc)

Security and Safety

- Lost card cancellation
- Door ajar alarm
- Intrusion alarm
- Remote opening
- Fully featured Access Control software module

Double safety net feature

We know security is important to you and your guests, that's why AElement has a double safety net feature.

Thanks to its automated 'self healing' capabilities, if the RF network fails or connection is lost for any reason AElement will automatically scan for a new connection to an alternative gateway, restoring communication and maintaining security.

And to ensure access is never compromised AElement also incorporates our patented data-on-card SVN™ (SALTO Virtual Network) technology in the locks as standard. This distributes all the latest access information to the stand alone locks simply by guests and staff using their RFID cards in the hotel.

With AElement and SVN™ combined, all locks are kept updated and secure at all times providing the hotel with what it needs most – total control.

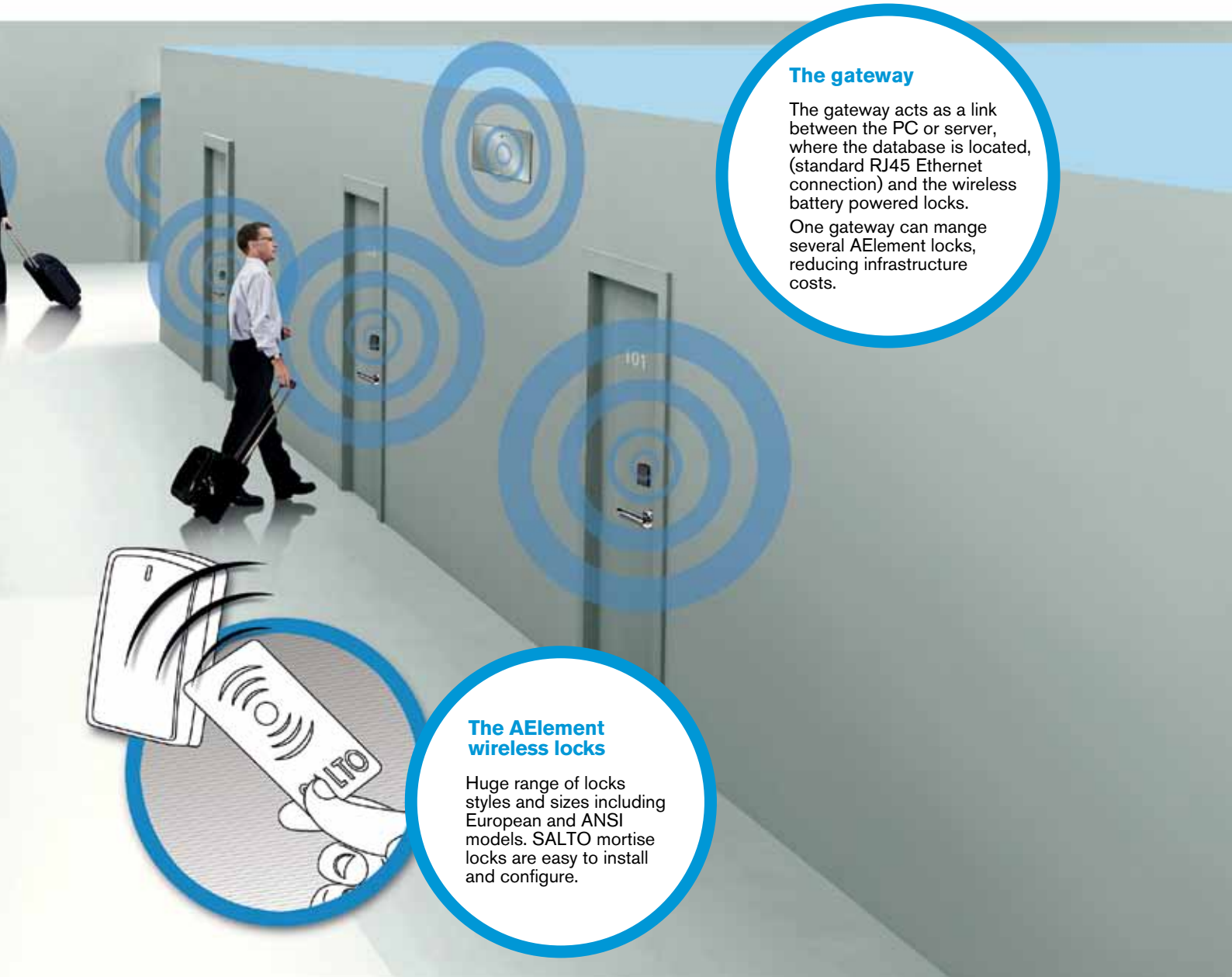
The gateway

The gateway acts as a link between the PC or server, where the database is located, (standard RJ45 Ethernet connection) and the wireless battery powered locks.

One gateway can manage several AElement locks, reducing infrastructure costs.

The AElement wireless locks

Huge range of locks styles and sizes including European and ANSI models. SALTO mortise locks are easy to install and configure.



Data-on-Card back-up

RFID and NFC are both R&W (read and write) technologies so to ensure access is never compromised at SALTO we always incorporate our patented data-on-card SVN™ (SALTO Virtual Network) technology into our locks as standard.

This allows the stand-alone locks to upload, store and download the latest access information as guests and staff use their RFID cards in the hotel. The cancelled key list can be updated, key cards can be cancelled and audit trail reports can be downloaded in both wire free or wireless

environments depending on the locks selected. All of which gives the hotel operator additional security and operating benefits compared to standard hotel locking systems.



RFID contactless technology

Radio frequency identification (RFID) is a generic term used to describe a system that transmits the identity of an object such as a guest or staff key card wirelessly, using radio waves. The advantage of RFID in high traffic areas such as hotels is that it is convenient. A guest or employee simply presents their 'key' card to unlock a door, rather than swiping a magnetic stripe card and because there is no contact between the card and the reader, there is less wear and tear, and therefore less maintenance.

SALTO offers a wide range of RFID cards all based on ISO standards. These include Mifare, Mifare plus, DESfire, DESfire EV1, Mifare Ultralight C. All are extremely secure thanks to built-in encryption and protection and they cannot be cloned.

RFID cards are also more reliable as the cards cannot be demagnetized (unlike a magstripe card) and are hard wearing, water and weather resistant and can be re-used as many times as you need – making them very cost effective.

Multi-Application smart cards

Perhaps the greatest appeal of RFID or smart card technology is its ability to combine multiple applications into one dynamic card. Such cards simplify life for end-users by consolidating multiple cards for access control, time and attendance, cashless payment, ski pass etc into one single card.

This means your guest can enjoy access to multiple services such as the health club, swimming pool, gym, spa and so on all with one multi-application card. And because these cards deliver such highly personalized applications their perceived value is much higher, helping to build strong customer loyalty.

NFC enabled mobile phones for hotel check-in

NFC (Near Field Communications) is a technology that everyone will soon be using in their everyday lives.

It is an extension of the RFID technology found in proximity smart cards. There are two elements to NFC technology - a tag, which is inside the NFC enabled device and can store data and transmit it wirelessly, and a reader, which can access the information stored on the tag.

One of the most exciting applications for NFC is mobile phones. Every new mobile phone will soon be NFC enabled allowing it to emulate a Mifare card and be used as a hotel room key. So when a guest with an NFC mobile phone makes a hotel reservation, their room access rights can be sent directly to their phone.

On arrival at the hotel the guest can bypass check-in at reception, instead going directly to their room where their phone will open the door. The door lock will then communicate with the front desk to let the hotel know the guest has entered the room. As with a current hotel 'key' the phone will only be able to open the door for the programmed access time. And once the 'key' expires, access rights for the room are cancelled and automatically deleted from the phone.

At SALTO all our electronic locks and readers are already NFC compatible with the future built in.



Hotel Access Management Software

AElement is more than a guest room access control system. It's also a comprehensive hotel management tool reinforced by powerful back of house software.

SALTO has developed HAMS (Hotel Access Management Software) to work in harmony with AElement to easily control all your access and guest management needs with one easy to use system.

It can be effortlessly integrated with your existing PMS system including popular solutions such as: Micros Fidelio, New Hotel, Protel, TBC, etc to not only control doors to guest rooms, elevators, gyms, swimming pools, spas, car park barriers and emergency doors but also to every back of house door including lockers, maintenance rooms, stores, kitchens and

more. The software can be used in multi-station desk environments as standard, so if your reception function is handled by a number of different desks it is no problem. HAMS can be quickly and simply customized to suit your exact individual needs.

HAMS is suitable for use in any type of hotel, from those that need to control just a small number of rooms up to the very largest resort based properties that need to control thousands.

It offers a huge range of features and tools that make it easy to control and manage all guest room and back of house doors in a property, including SALTO Intelligent Energy Saving Devices (ESD's) when fitted, from one central location.

With SALTO HAMS software and SVN™ (SALTO Virtual Network) technology, you can add or delete access privileges at will to guest and staff cards, program up to 256 different time zones, change access times/days by using up to 256 different calendars, blacklist cards from the system and add additional security measures such as authenticated validation procedures including pin codes.

You can benefit from on card audit-trailing to track guest, staff or visitor movement and receive lock specific battery power data as it is registered on any card using the lock and transferred back to the PC.

It all adds up to a lot of unique advantages that make your property management and maintenance tasks easier and its something only SALTO can offer.

SALTO Platform

SALTO is not just an access control system; it's a complete building management solution.

As a leading global provider of advanced technology security solutions to the hotel and hospitality industry, SALTO offers an array of innovative facility management technologies to meet your needs. These include electronic locks, glass door locks, electronic cylinders, panic bars, wall readers for elevators and car parks, locker locks, energy saving devices, software and management tools.

We cover more than 60 countries, so no matter where you are in the world you can be sure that there is a local authorised SALTO partner ready to provide you with the best products and service available. They are all access control specialists with a wealth of knowledge and experience, dedicated to providing cost effective state-of-the-art solutions to your security requirements. And as you would expect from the leaders in electronic access control technology, first class technical support is also there when you need it.

That's why over 3,000 hotels around the globe rely on SALTO for their hotel security.



Glass door lock

The SALTO glass door lock is stylish and modern and its exclusive design makes it compatible with a wide range of hotel glass door designs, including those already fitted with a built-in lock. The lock can be of conventional or cylinder design and its 'sandwich body' makes for easy installation without having to replace the door.



Panic bars

SALTO's advanced panic bar solution enables hotel emergency exit doors fitted with panic bars to be controlled with an innovative stand alone electronic locking system. SALTO stand alone electronic locks can be fitted to more than 40 leading panic bars from the most popular manufacturers.



Wall readers for elevators and car parks

SALTO wall readers when used in combination with door controllers enable the expansion of SALTO access control benefits to all those doors where a stand alone electronic lock cannot be fitted i.e. elevators, car park barriers etc. Suitable for outdoor installation, the SALTO wall reader range also includes narrow profile wall readers that can be installed in the frame of a door.

Giving you more

Now more than ever before, the hotel and hospitality industry is looking to maximise budgets by selecting multiple solutions from a single source.

At SALTO we're responding to that challenge by providing you with a great range of products that all incorporate the

technology provided by our SVN™ (SALTO Virtual Network) enabling you to benefit from a great range of features and centrally manage, maintain, control and record all the access activity of the entire property right from your front desk computer.



Locker locks

The SALTO electronic locker lock is designed to provide a high level of security protection for hotel lockers in swimming areas, gyms, spas, golf clubs etc as well as in back of house staff areas. It features a large twist operated handle for ease of use, with the locking mechanism, electronic components and battery pack all located on the inside of the locker for extra protection. Full audit trailing is available and access is via a range of technologies contained within a choice of card, wristband, key fob or bracelet formats.



Electronic cylinders

SALTO electronic cylinder locks make an excellent access control solution for doors where fitting an electronic lock or escutcheon may not be possible, such as antique doors or doors in a listed building. The SALTO electronic cylinder is available in a range of formats including the high performance data on card system with SVN™ (SALTO Virtual Network) capabilities.



Energy saving devices (ESD)

The SALTO in room energy saving device (ESD) can save up to 65% of a hotel room's electricity consumption. However unlike standard (magnetic stripe) energy savers, only authorized SALTO key cards will operate the device. Any other type of card i.e. frequent flyer, business card, credit card etc or other SALTO card assigned to another room, will not work.

It is also available in an on-line version, which as well as energy saving indicates in real time the presence of a guest or staff member in the room, logging the information directly to the hotel PC.

When a guest inserts their card into the ESD it switches on all the electrical equipment in the room. When a member of staff enters the room for cleaning or maintenance however, the ESD recognises that their card is a staff card, and only switches on the electrical equipment they need to do their work.

The ESD can also be used to list 'cleaned-&-checked' rooms (i.e. ready for check-in) and an optional minibar module automatically lists replenished minibars; and locks/unlocks minibars to prevent minors' or unauthorized staff usage.

OLIVARI and SALTO

partners by design

“The design taken
by the hand”

Olivari handles are the perfect interpretation of form and design.

Their classical elegance and modern lines form sublime shapes that are known the world over for their eclecticism and style. Crafted with passion they are the perfect choice when distinctive design flair is needed. See what you can do when you combine Olivari's finest Italian design with SALTO's world beating state-of-the-art electronic access control technology.



aurelia



CO - cromato opaco



CR - cromato



SA - satinato



bios



BS - biocromo satinato



EL - biocromo lucido



planet Q



CR - cromato



CO - cromato opaco



onda



CO - cromato opaco



CR - cromato



LU - lucido



sector



CA - cromato/crom. op.



LT - lucido/satinato



stilo



CO - cromato opaco



CR - cromato



LU - lucido



tecno



CO - cromato opaco



CR - cromato



LU - lucido



J handle



IM / satin stainless steel

L handle



IA / special finish simulating antique brass



IM / satin stainless steel



IP / Polished stainless steel



PM / PVD finish simulating satin brass



PP / PVD finish simulating polished brass

O handle



IA / special finish simulating antique brass



IM / Bright chrome



PM / PVD finish simulating satin brass



PP / PVD finish simulating polished brass

S handle



IM / satin stainless steel

T handle



IM / satin stainless steel

U handle



IA / special finish simulating antique brass



IM / satin stainless steel



PM / PVD finish simulating satin brass



PP / PVD finish simulating polished brass



IP / Polished stainless steel

W handle



IA / special finish simulating antique brass



IM / satin stainless steel



IP / Polished stainless steel



PM / PVD finish simulating satin brass



PP / PVD finish simulating polished brass

AEElement general features

Access control features

- Maximum number of users per door: 4.000.000
- Maximum number of doors, rooms or lockers per system: 64.000
- Maximum events on lock audit: 1000
- Managed through SALTO HAMS software and compatible with PMS - Property Management Software.
- Timezones: 256
- Timeperiods: 256
- Calendars in system: 256
- Zones in system: 1024
- User groups: unlimited

Electronic features

- Wire free stand alone networked system through SVN technology.
- Locks are connected to the system through the SALTO Virtual Network improving the security and efficiency of the system.
- Non volatile memory (it is not deleted, even without power).
- Electronic privacy option through a push button on the inside. This blocks all the carriers from operating the lock, except those master keys that have high privileges, which will always override this privacy mode to gain entry in cases of emergency.
- Locks are equipped with a low consumption real time clock function.
- Dual colour LED (green/red) to indicate lock authorisation.
- Special blink indication when lock is in privacy mode.
- Possibility to enable/disable the acoustic signal.
- Power supply: 3 alkaline batteries LR03 AAA 1,5V.
- Battery autonomy up to 50 000 openings.

Wireless system

Wireless features

- Wireless ready devices, standard stand alone AEElement locks can be upgraded to wireless just by fitting the wireless antenna. No retrofit needed.
- Wireless Radio Frequency based on IEEE 802.15.4 at 2,4Ghz.
- AES 128bits encryption.
- System managed through HAMS SQL software.
- Self-organizing capabilities, the escutcheons automatically organize their structure in order to build up the RF connections.
- Self-healing capabilities, the escutcheons automatically scan for a new connection if any repeater or gateway loses RF connection.
- SALTO Virtual Network technology included. The escutcheons will continue working, granting access control via SVN technology if the data network crashes or the PC is disconnected.
- Wireless infrastructure set up through gateways and repeaters.
- One gateway can support multiple locks, gateways and repeaters.
- Gateway connection to the server or PC RJ45 Ethernet.
- Gateway connection to the locks, repeaters and other gateways by encrypted radio frequency IEEE 802.15.4 at 2,4Ghz.

Opening mode

Programmed as guest rooms

- Standard (locked at all times)
- Office (free passage ability)
- Exit leaves open + toggle.

Programmed as back office rooms

- Standard (locked at all times)
- Office (free passage ability)
- Timed Office (automatic locking at end time)
- Automatic opening (8 pairs of "hands free" timed lock and unlocks per day with holidays)
- Automatic Opening + Office
- Toggle (present card to lock, present card to unlock)

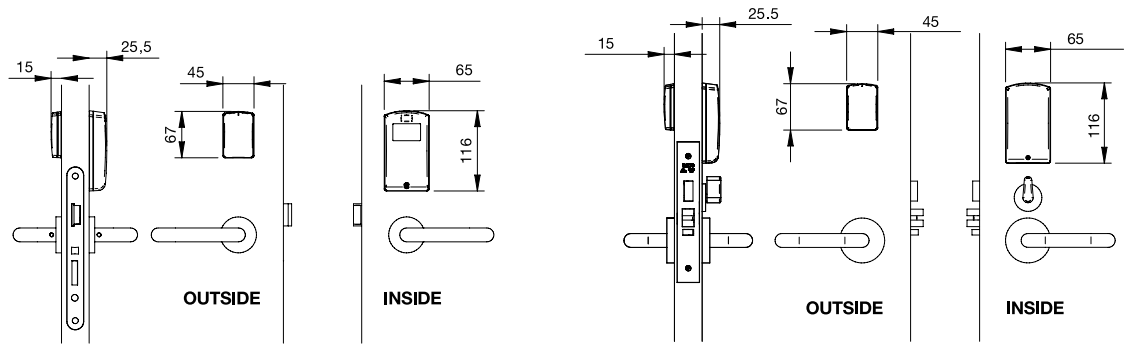
ID technology

- 13.56MHz contactless RFID identification.
- Near Field Communication (NFC) compatible.
- Key card available: 1Kbyte (Mifare) and 4Kbytes (Mifare or DESfire) and Mifare Ultralight C.
- Key shape available: ISO 7810 Cards, fobs, bracelets, stickers, watches...
- Reusable key cards.
- SALTO Virtual Network (SVN) compatible.
- RFID technology, there's a contactless exchange of information between the card and the reader.
- High security, by using encrypted RFID cards.
- Multiapplication with other systems using the same card.
- Waterproof cards which can be customized.

Wireless functions

- Instant extended stay.
- Live on-line staff tracking.
- Real-time monitoring.
- Instant master card cancellation.
- Remote real-time guest check out.
- Dynamic master keys.
- Privacy guest room mode monitoring to be aware that the guest is in the room.
- Real-time audit trail.
- Automated "low battery report" for maintenance.
- Remote maintenance system to report in room problems.
- Real-time audit of inside openings.
- Passage mode activates for meeting rooms.
- Lost card cancellation.
- Door ajar alarm.
- Intrusion alarm.
- Remote opening.
- Lock down emergency function.

Measurement



Model LE7E37 standard DIN

Model LA1M1770 standard ANSI

Reader finishes



White reader /
PVD Polished brass base (PP)
Black reader /
PVD Polished brass base (PP)



White reader / special finish
antique brass base (LA)
Black reader / special finish
antique brass base (LA)



White reader /
PVD Satin brass base (PM)
Black reader /
PVD Satin brass base (PM)



White reader /
Bright chrome base (IP)
Black reader /
Bright chrome base (IP)



White reader /
Satin chrome base (IM)
Black reader /
Satin chrome base (IM)

Battery holder finishes



White battery holder /
PVD Polished brass base (PP)
Black battery holder /
PVD Polished brass base (PP)



White battery holder / special
finish antique brass base (LA)
Black battery holder / special
finish antique brass base (LA)



White battery holder /
PVD Satin brass base (PM)
Black battery holder /
PVD Satin brass base (PM)



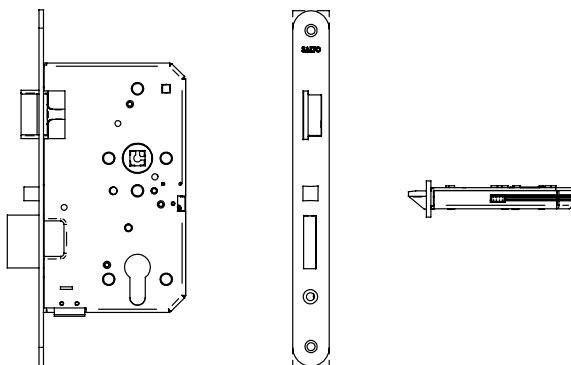
White battery holder /
Bright chrome base (IP)
Black battery holder /
Bright chrome base (IP)



White battery holder /
Satin chrome base (IM)
Black battery holder /
Satin chrome base (IM)

Mortise locks

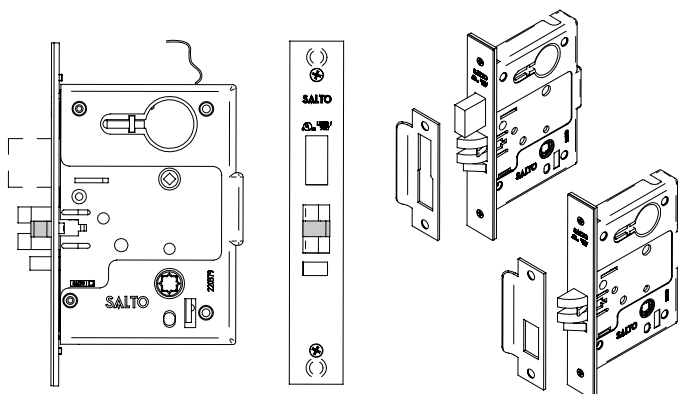
Model LE7E37
Standard DIN18250



Features:


- DIN 18250.
- To be used with the AElement electronic handle set.
- Axe distance 72 mm.
- Lock latched deadbolt made of steel.
- Automatic deadbolt projection lock.
- Front plate 20, 24 mm.
- Front plate shape: square or round.
- Backset 55 mm - 65 mm.
- Handed lock - L/R - not reversible.
- Built in privacy detector.

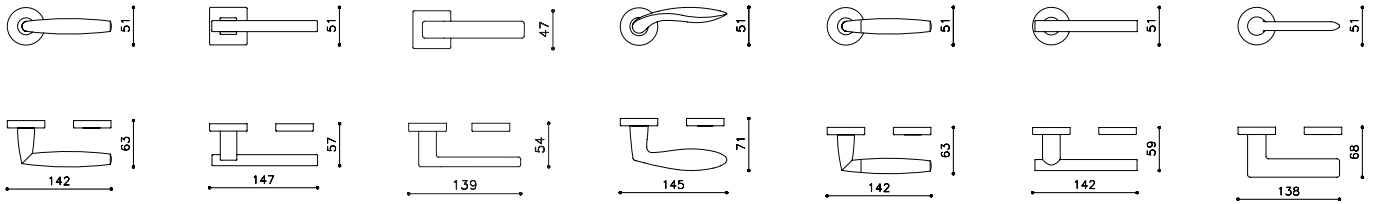
Model LA1M1770
standard ANSI



Features:

- ANSI A 125.13.
- To be used with the AElement electronic handle set.
- Mechanical deadbolt projection lock (deadbolt privacy).
- Available without deadbolt to be used with electronic privacy system.
- Thumbturn to handle distance 62 mm.
- Lock latched deadbolt made of steel.
- Front plate 32 mm - 27mm.
- Front plate shape: square.
- Backset 70 mm.
- Handed lock - L/R - not reversible.
- Built in privacy detector and door detector (depending on the model).

OLIVARI  design handles



Olivari Aurelia Handle

Olivari Bios Handle

Olivari Planet Q Handle

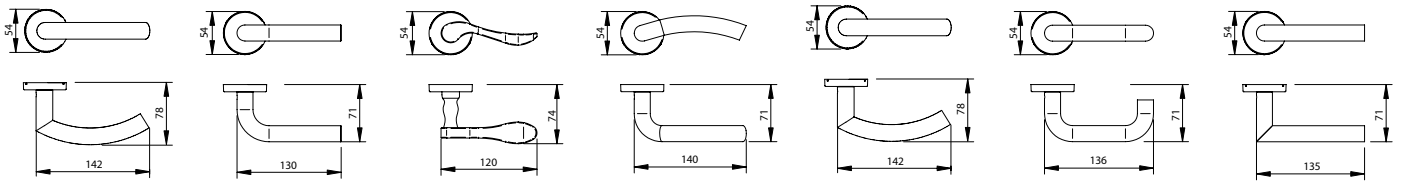
Olivari Onda Handle

Olivari Sector Handle

Olivari Stilo Handle

Olivari Tecno Handle

SALTO standard handles



SALTO J handle

SALTO L handle

SALTO O handle

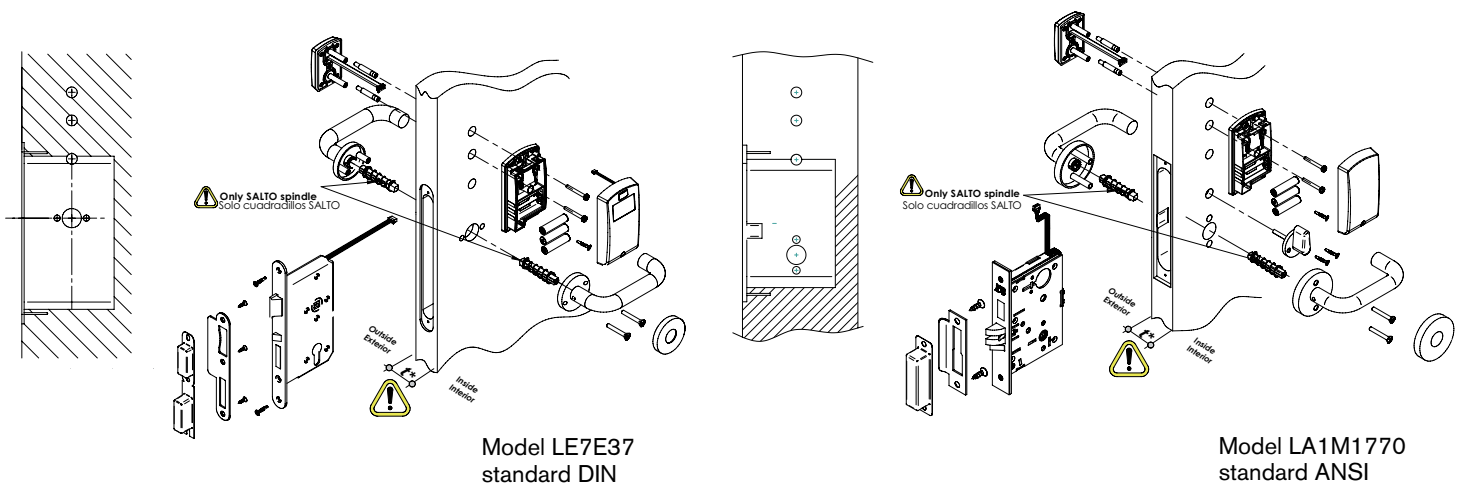
SALTO S handle

SALTO T handle

SALTO U handle

SALTO W handle

Instalation



Model LE7E37
standard DIN

Model LA1M1770
standard ANSI

Certificates

RF certification: RF60 - EN1634-1
EN certification: EN 300330-1
 V1.3.2 (2002-12)
 EN 301 489-1 (2002)
 EN 301 489-3 (2002)
 EN 60950

EN 55022 (1994), class B
 EN 55024 (1998)
 EN 61000-6-1 (2001)
 EN 61000-6-2 (2001)
 EN 61000-4-2 (1995)
 EN 61000-4-3 (1995)

Condition of use

Temperature: -20° / 70°C



Corporate

SALTO Systems is a leading global provider of advanced technology security solutions to the hotel and hospitality industry.

An internationally established company, our distribution partner network now covers more than 70 countries to service our world-wide customer base. We have branch offices in Spain, UK, USA, Canada, Mexico, Portugal, Netherlands, Denmark, Sweden, Germany, Middle East, Singapore and Australia with more planned in additional countries.

We manufacture high quality, technology driven products that give our hotel customers the confidence, reliability and security they need. That's why we're the selected access control option of choice on over 1,000,000 doors all over the world, with more than 3000 hotel customers.

We're determined to remain the best at what we do – both now and in the future. That's why we're ISO 9001:2008 and 14001 certified and our HQ and high capacity manufacturing facility is equipped with the latest JIT (Just in Time) manufacturing technology.

We are also one of the largest investors in RD&I (Research, Development and Innovation) in our industry. This ensures we stay at the cutting edge of modern mechanical, electronics and software design, enabling us to deliver innovative, class leading products such as AElement to the hotel and hospitality market.

At SALTO we never forget you have a choice, that's why we're committed to providing uncompromising standards of excellence in everything we do.



AElement:
tomorrow's technology-today!
Wireless DNA



A E L E M E N T
by SALTO

www.aelement.com

SALTO Systems HQ, Spain

Poligono Lanbarren
C/ Arkotz, 9
20180 Oiartzun, Spain

Tel.: +34 943 344 550
Fax: +34 943 341 621

info@saltosystems.com
www.saltosystems.com

SALTO Systems UK Ltd

Epic Innovation Centre
Nuneaton, Warwickshire
CV10 7RH, United Kingdom

Tel.: +44 247 679 6430
Fax: +44 247 679 6431

info.uk@saltosystems.com
www.saltosystems.co.uk

SALTO Systems UK Ltd

Milton Park Innovation Centre,
99 Milton Park, Oxon
OX14 4RY, United Kingdom

Tel.: +44 1235 841 531
Fax: +44 247 679 6431

info.uk@saltosystems.com
www.saltosystems.co.uk

SALTO Systems Inc

3073 McCall Drive Suite 1
Atlanta GA 30340

Tel.: (770) 452-6091
Toll Free: 866-GO SALTO
Fax: (770) 452 6098

info@salto.us
www.salto.us

SALTO Systems Asia Pte Ltd

315 Outram Road
#03-01 Tan Boon Liat Building
Singapore 169074

Tel: +65 6557 22 55
Fax: +65 6223 24 83

info.asia@saltosystems.com
www.saltosystems.com

SALTO Systems Australia Pty Ltd, Sydney

Suite 27, Level 2
410 Church Street
North Parramatta NSW 2151, Australia

Tel.: +61 2 9890 4600
Fax: +61 2 8580 5099

info.sydney@saltosystems.com
www.saltosystems.com

SALTO Systems Australia Pty Ltd, Melbourne

Level 50, 120 Collins Street
Melbourne, Victoria
3000 Australia

Tel.: +61 3 9225 5401
Fax: +61 3 9225 5050

info.melbourne@saltosystems.com
www.saltosystems.com

SALTO Systems Inc, Canada

1847 Perrot Blvd., Suite 400
Notre-Dame-de-l'Île-Perrot,
QC, J7V 7P2, Canada

Tel.: +1 (514) 616 2586
Fax: +1 (514) 448 0859

info.canada@salto.us
www.saltosystems.com

SALTO Systems GmbH, Germany

Gewerestr. 5
58285 Gevelsberg
Deutschland

Tel.: +49 (0)2332/551 16-0
Fax: +49 (0)2332/551 16-19

info.de@saltosystems.com
www.saltosystems.de

SALTO Systems Mexico

Bonampak 77 SM-3 Oficina: 205
Cancún, Q. Roo 77500
México

Tel.: +52 (998) 892 8752
Fax: +52 (998) 892 8752

info.mexico@salto.us
www.salto.us

SALTO Systems Middle East, Dubai

Jebel Ali Free Zone
Lob 6, office 22
PO Box 262871
Dubai, United Arab Emirates

Tel.: +971 48 811 050

info.me@saltosystems.com
www.saltosystems.com

SALTO Systems BV, Netherlands

Johan van Hasseltweg 40
1022 WV Amsterdam
The Netherlands

Tel: +31 206 353 100
Fax: +31 206 353 109

info.nl@saltosystems.com
www.saltosystems.com

SALTO Systems Nordic, Denmark

Banegårdspladsen 1.1.14
4400 Kalundborg
Denmark

Tel.: +45 36 990 194
Fax: +45 78 775 115

info.nordic@saltosystems.com
www.saltosystems.dk

SALTO Systems Portugal

Largo Capitaó Pinheiro
Torres de Meireles 51/52, R/C;
4150-619 Porto, Portugal

Tel.: +351 220 937 508
Fax: +351 220 935 871

info.portugal@saltosystems.com
www.saltosystems.com

EVVASALTO ACCESS AB

Regulatorvägen 19
141 44 Huddinge, Sweden

Tel.: +46 (0)8-555 982 00
Fax: +46 (0)8-746 01 40

sverige@evvasalto.se
www.evvasalto.se

SALTO
inspired access

ALMT-ENG-ENG-09-11

SALTO reserves the rights to modify technical specifications, designs, and performance without notice.

©SALTO Systems - September 2011