

Installation guide XS4_{MINI}

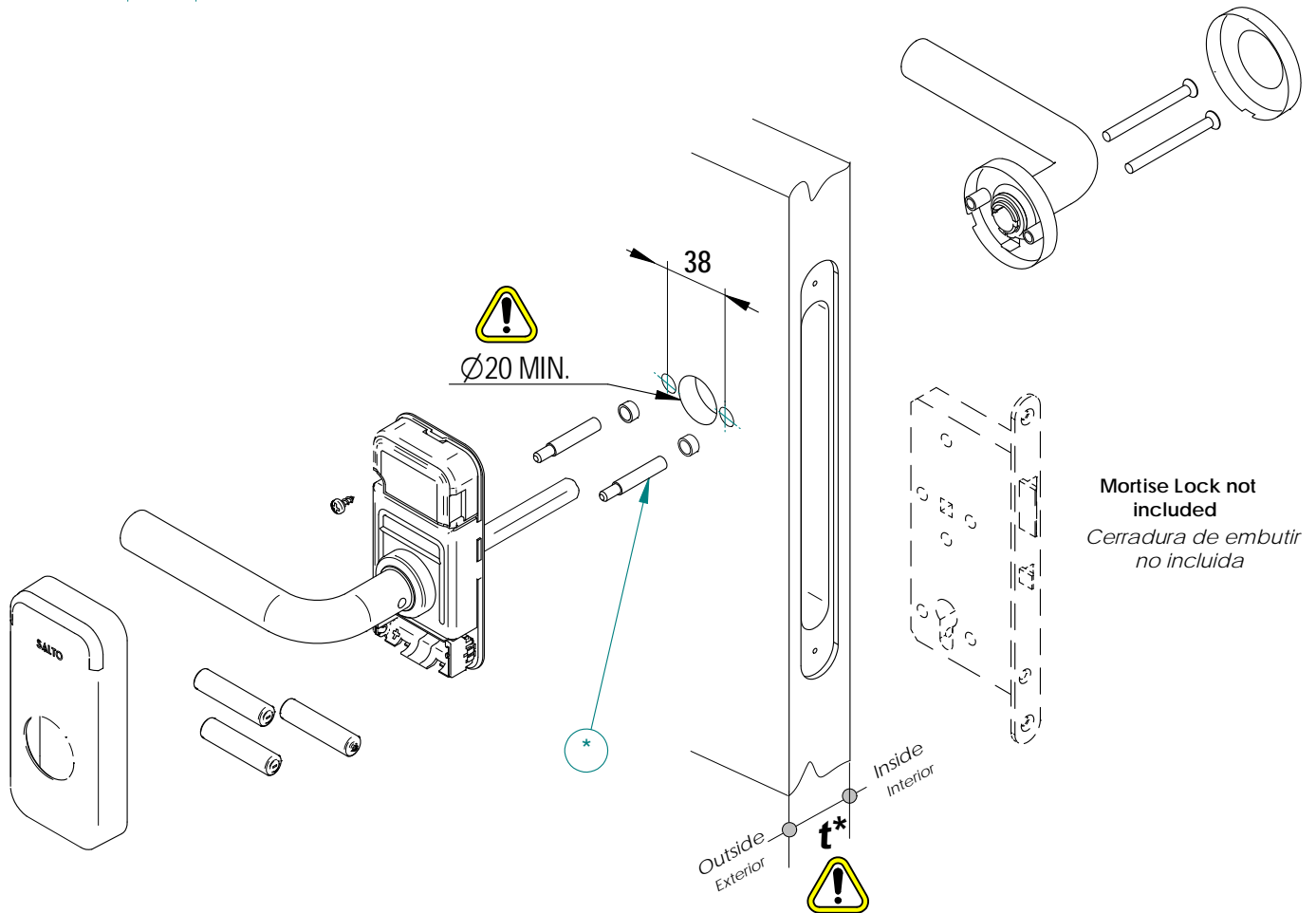
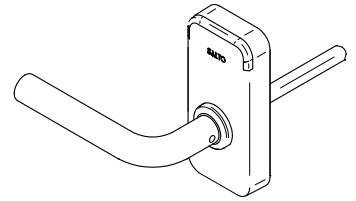
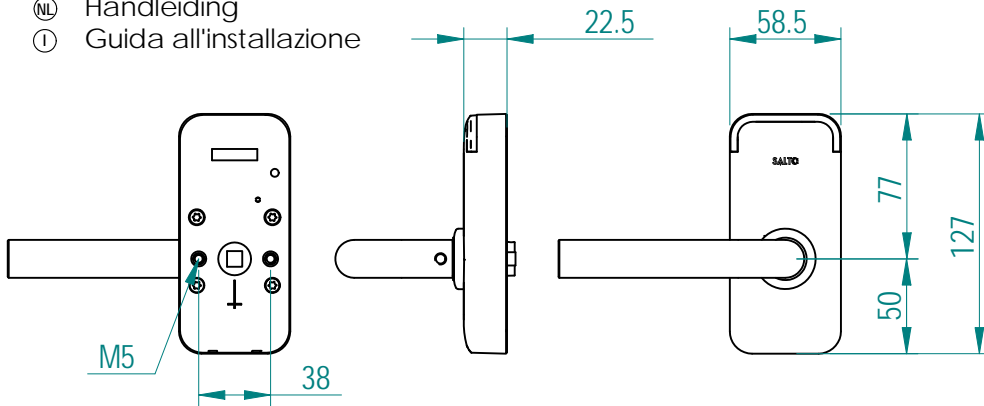
SALTO

inspired access

For mortise locks with DIN door holes (38 mm) for handle fastening

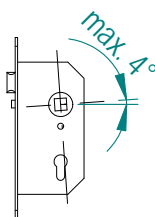
E i 150 m d f f c t s h r series

- Ⓔ Installation guide
- Ⓔ Guía de instalación
- Ⓔ Montageanleitung
- Ⓔ Guide d'installation
- Ⓔ Handleiding
- Ⓔ Guida all'installazione



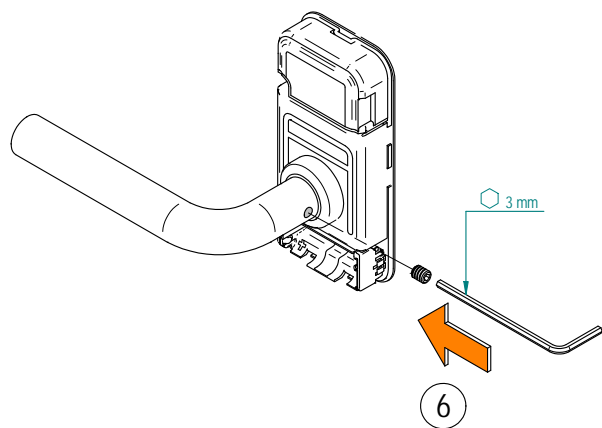
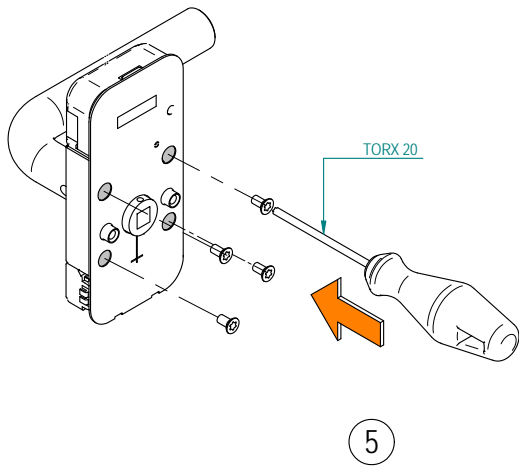
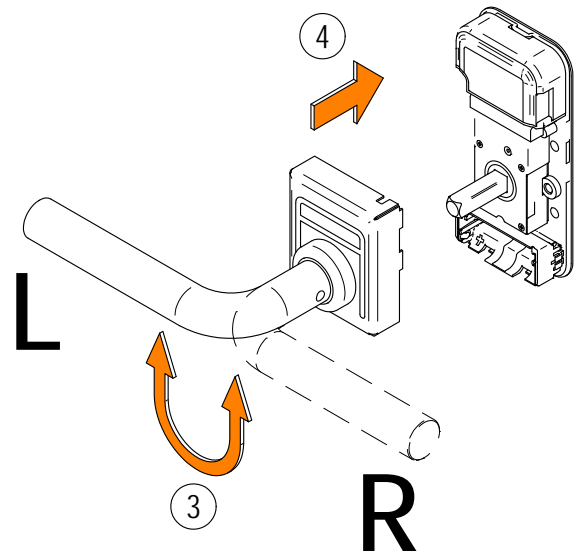
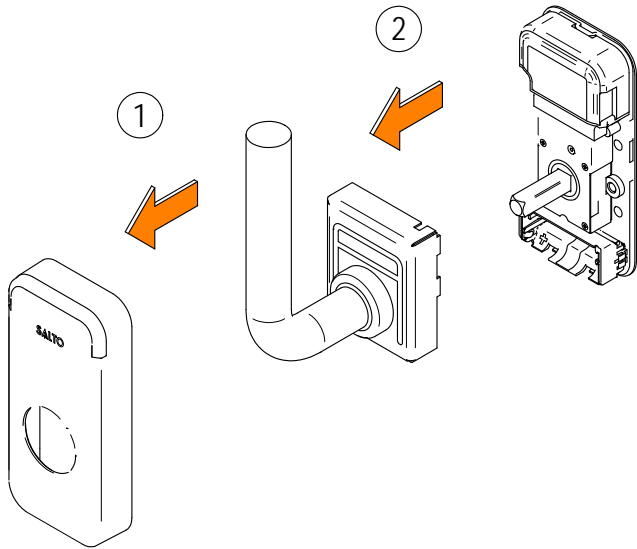
Mortise Lock not included
Cerradura de embutir no incluida

- Ⓔ * Required only for doors that exceed 60mm thickness
- Ⓔ * Sólo para puertas de espesor mayor de 60mm



- Ⓔ SALTO recommends the use of a mortise lock, with a maximum 4° pre-turn
- Ⓔ SALTO no garantiza el correcto funcionamiento del ensamblaje, si se utilizan cerraduras con pregiro superior a 4°

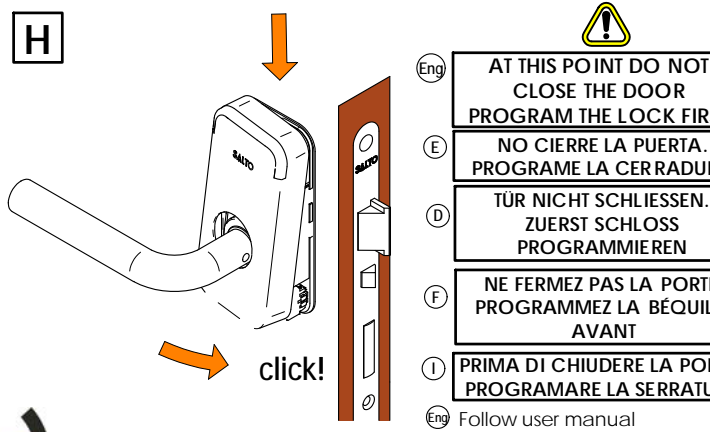
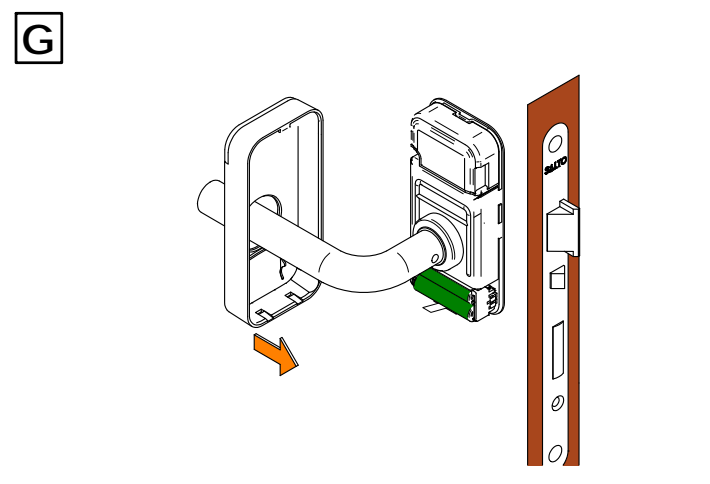
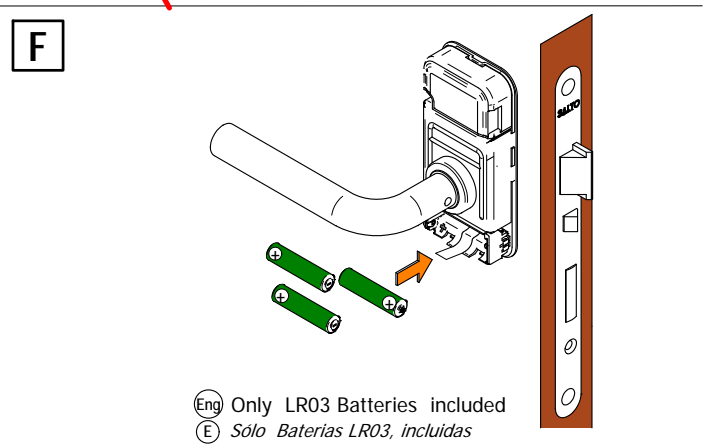
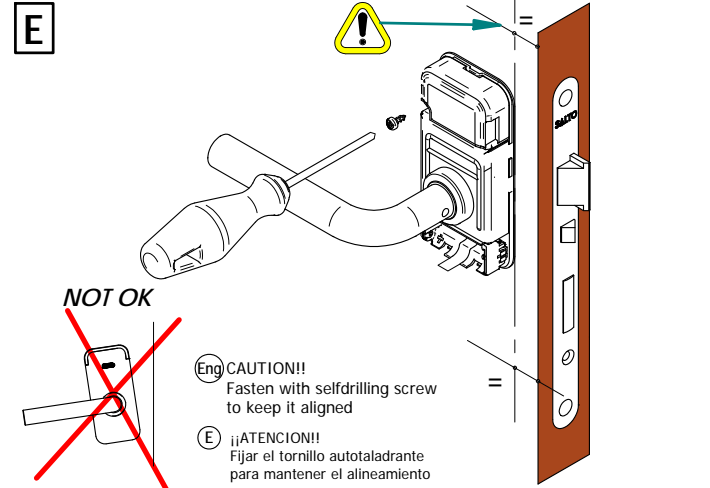
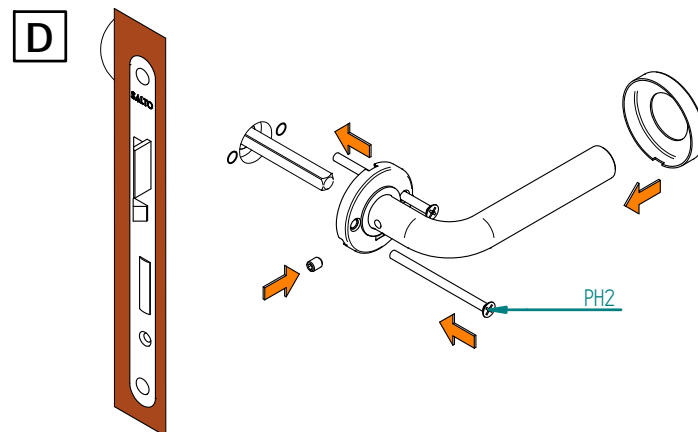
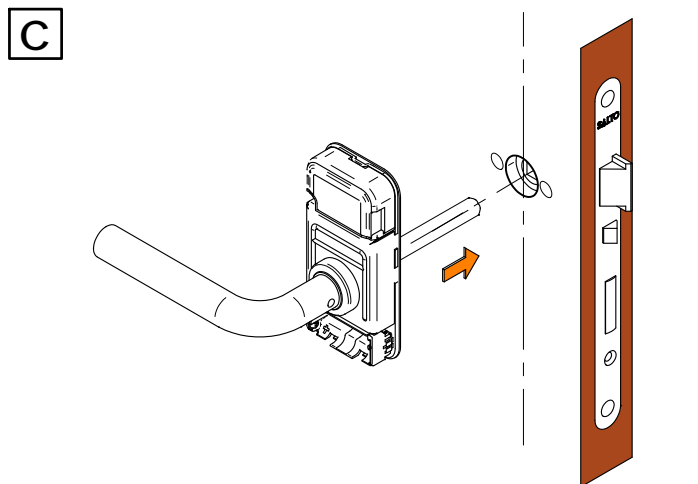
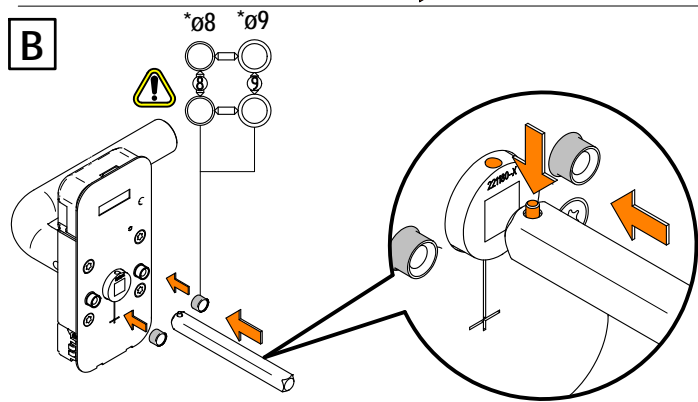
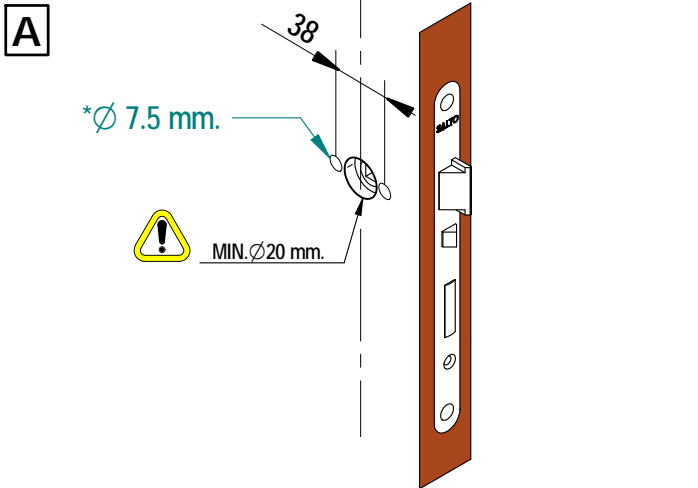
Eng SELECT HANDING
 E SELECCIONE MANO
 D DRÜCKERRICHTUNG WÄHLEN
F CHOISIR LE SENSEPOIGNÉ
 NL KIES DRAAIRICHTING
 I SELEZIONARE MANO



Installation guide XS4_{MINI}

SALTO
inspired access

Eng Installation E Instalacion D Montage F Installation NL Handleidig I Montaggio



Installation guide XS4_{MINI}

SALTO
inspired access

Eng Battery change E Sustitucion de las pilas D Batterie tauschen
F Remplacer les piles N Vervangen batterij I Sostituzione la pila

